

SPECIAL FEATURES

- POLYPROPYLENE CASE & STAINLESS STEEL MEASURING SYSTEM
- DRY OR LIQUID FILLED
- STANDARD FOLLOWED IN GENERAL EN 837-1

APPLICATIONS

FOR CORROSIVE ATMOSPHERE, HAZARDOUS ENVIRONMENT APPLICATIONS, WHERE POLYPROPYLENE CASE IS MOST SUITED.



GOST - R



SPECIFICATIONS

STANDARD VERSION : 100 mm & 150 mm

Accuracy	: ±1.0% of F. S.
Ambient temperature	: - 25°C to + 65°C
Process temperature	: Max. 100°C
Operating Pressure Range	: 75% of Scale Value
Over pressure limit	: ≤ 100 bar : 125% of Max. F.S
	: > 100 to ≤ 600 bar : 115% of Max. F.S
	: OPTION: 50%, 150%, 400% of Max. F.S

Case & Bezel	: POLYPROPYLENE (PP)
Bourdon	: AISI 316L
Socket	: AISI 316L
Movement	: AISI 304
Joints	: Tig Argon Arc Welding

Protection	: IP 65, 67
Dial	: Aluminium, black graduation on white background
Pointer	: Aluminium, black coloured, Micrometer zero adjustable
Window	: Sheet Glass
Blow off Disc & Gasket	: Neoprene
Filling Plug	: Neoprene

GLYCERINE FILLED VERSION (OPTION PY)

Accuracy	: ±1.0% of F. S.
Ambient Temperature	: Maximum 65°C
Process Temperature	: Maximum 65°C
Window	: Plexi Glass
Dampening Liquids	: Glycerine 99.7% (others available as option)
Other Features	: Refer Specification of Standard Version

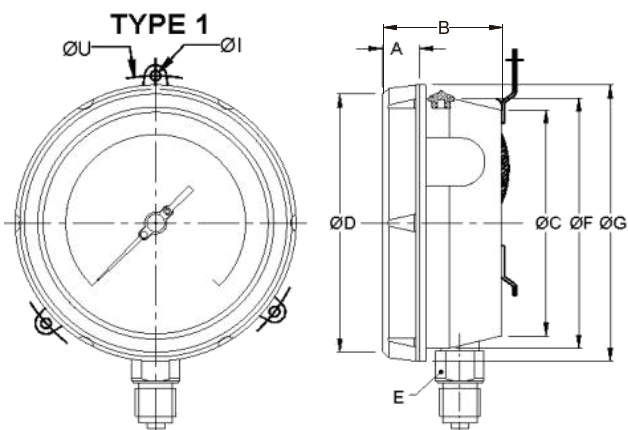
Temperature effect:

The variation of indication caused by effects of temperature is to be calculated by below formula; which is to be added in the specified accuracy while measurement :

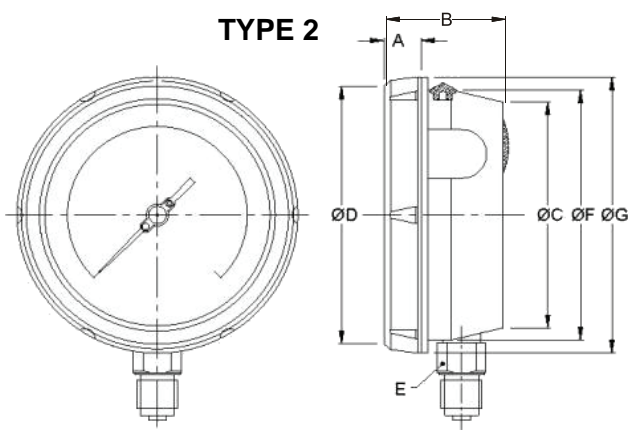
Formula : $\pm 0.04 \times (t_2 - t_1) \% \text{ of F. S.}$

where t_1 = reference temperature (+20°C) and t_2 = ambient temperature in °C.

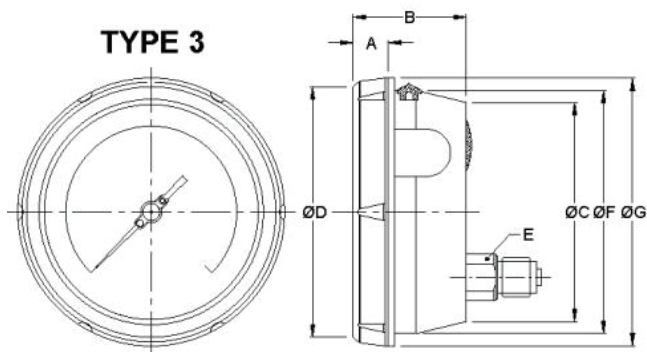
DIMENSIONS - STANDARD VERSION



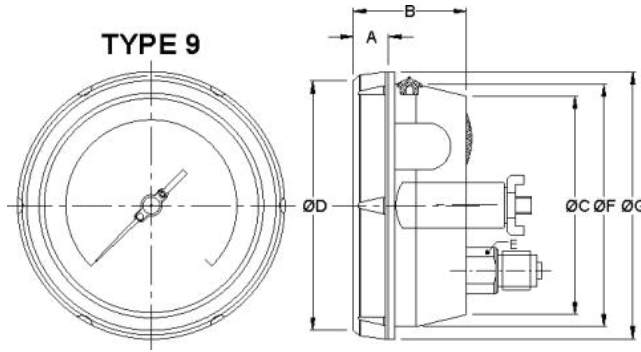
NS	A	B	ØC	ØD	E	ØF	ØG	ØU	ØI	Weight in gram (With Box)
100	16.5	55	106	119.5	22	116	129	118	6	630.0
150	16	54.5	156	169	22	167.5	179	168	6	1040.0



NS	A	B	ØC	ØD	E	ØF	ØG	Weight in gram (With Box)
100	16.5	55	106	119.5	22	116	129	600.0
150	16	54.5	156	169	22	167.5	179	1040.0



NS	A	B	ØC	ØD	E	ØF	ØG	Weight in gram (With Box)
100	16.5	55	106	119.5	22	116	129	580.0
150	16	54.5	156	169	22	167.5	179	1060.0



NS	A	B	ØC	ØD	E	ØF	ØG	Weight in gram (With Box)
100	16.5	55	106	119.5	22	116	129	710.0
150	16	54.5	156	169	22	167.5	179	1100.0

Notes: • Drawings are not to scale. • All Dimensions are in mm. • NS = Nominal Size.

RANGE TABLE

Note : We offers International Scales like kPa, MPa, bar, psi, kg/cm² & Dual Scale like kPa with psi, kPa with bar, bar with psi or Equivalent scales as per the requirement can be provided on request.

Following are the example tables for kg/cm² & psi scales

PRESSURE

SINGLE SCALE (kg/cm ² or bar)					
RANGE	RANGE	RANGE	RANGE	RANGE	RANGE
0/0.6	0/4	0/25	0/160	0/1000	
0/1	0/6	0/40	0/250	0/1600	
0/1.6	0/10	0/60	0/400		
0/2.5	0/16	0/100	0/600		
DUAL SCALE (psi with kg/cm ²) or (psi with bar)					
RANGE (psi)	RANGE (kg/cm ²)	RANGE (psi)	RANGE (kg/cm ²)	RANGE (psi)	RANGE (kg/cm ²)
0/15	0/1	0/400	0/28	0/4000	0/280
0/30	0/2	0/500	0/35	0/5000	0/350
0/60	0/4	0/600	0/40	0/6000	0/400
0/100	0/7	0/1000	0/70	0/10000	0/700
0/150	0/10	0/1500	0/100	0/15000	0/1000
0/220	0/16	0/2200	0/160	0/22000	0/1600
0/300	0/20	0/3000	0/200		

VACUUM & COMPOUND

DUAL SCALE (inHg with psi & mmHg with kg/cm ²)					
inHg with psi	mmHg with kg/cm ²	inHg with psi	mmHg with kg/cm ²	inHg with PSI	mmHg with kg/cm ²
- 30/0	- 760/0	- 30/60	- 760/4	- 30/200	- 760/14
- 30/15	- 760/1	- 30/100	- 760/7	- 30/300	- 760/21
- 30/30	- 760/2	- 30/150	- 760/10	- 30/350	- 760/25
SINGLE SCALE (kg/cm ²)					
- 1/0	- 1/1.5	- 1/5	- 1/15	- 1/15	- 1/15
- 1/0.6	- 1/3	- 1/9	- 1/24	- 1/24	- 1/24

ACCESSORIES (Refer Individual Datasheet for complete specifications)

EB COOLING TOWER	* NEEDLE VALVE
EC GAUGE COCK	EG SNUBBER
ED OVER LOAD PROTECTOR (GAUGE SAVER) **	EH SIPHON

* Refer catalogue for Valves & Manifolds.

** For Pressure Ranges.

HOW TO ORDER MP-577 - N - X - YYY - R - ZZ

BASIC MODEL

CODE

577

NOMINAL SIZE

F H
100 mm 150 mm

N

TYPE OF MOUNTING

- 1 SURFACE / WALL / PROJECTION MOUNTING WITH BOTTOM ENTRY
- 2 DIRECT BOTTOM ENTRY
- 3 DIRECT LOWER BACK ENTRY
- 9 LOWER BACK ENTRY WITH MOUNTING BRACKET

X

GAUGE CONNECTION

3BM 3/8" BSP (M) STANDARD **2NM** 1/4" NPT (M) **4TM** 1/2" BSPT (M)
4BM 1/2" BSP (M) STANDARD **4NM** 1/2" NPT (M) STANDARD

YYY

Note : Connections like Metric / PT / PF / Flaired / UNF / G / R etc can be provided on request.

RANGE

REFER RANGE TABLE

R

OPTIONAL EXTRAS

TI MONEL BOURDON & SOCKET (MONEL VERSION) **	TB HELIUM LEAK TEST
PW FIVE POINT CALIBRATION CERTIFICATE	TF TESTED TO NACE STANDARDS
PU CALIBRATION CERTIFICATE TRACEABLE TO INTERNATIONAL STANDARDS	RH CUSTOM DESIGNED DIAL
GH MATERIAL TEST CERTIFICATES *	PY DAMPENING LIQUID GLYCERINE FILLED
RW PLEXI GLASS	SA INTERNAL OVER PRESSURE STOP
RX SHATTERPROOF GLASS	SB INTERNAL VACUUM STOP
RZ TOUGHENED GLASS	QB INTEGRAL DAMPENING SCREW (AISI 316 SS)
SF MOVEMENT WITH DAMPENING JELLY	FL INTEGRAL DAMPENING SCREW (MONEL) **
SG OXYGEN SERVICE (FOR DRY VERSION)	SW DIAL TAG MARKING
SJ MAXIMUM READING POINTER WITH PLEXI GLASS (FOR DRY VERSION)	SD AISI 316 SS MOVEMENT ***
	SX SS TAG PLATE

ZZ

* MATERIAL TEST CERTIFICATES WILL BE PROVIDED FOR WETTED PARTS ONLY WITH CHEMICAL COMPOSITION TESTING. FOR OTHERS, PLEASE CONSULT FACTORY.

** INTEGRAL DAMPENING SCREW WILL BE IN MONEL IF ORDERED. REFER OPTION FL.

*** MINIMUM ORDER QUANTITY SHALL BE 10 NOS.

Ordering Example: MP-577 - F - 3 - 3BM - 0/10/kg/cm² - TI

Note: Specifications and dimensions given in this product catalogue represents the state of engineering at the time of printing.

Modifications may take place and materials specified may be replaced by others without prior notice.

8 Hagavish st., P.O.B. 1951 Holon 58117, Israel

Tel. 972-3-6508585 Fax. 972-3-6508586

Email: info@michshur.com www.michshur.com



Michshur s.z. (1984) LTD.