

Delivery address: Mackenrodtstraße 14,
36039 Fulda, Germany
Postal address: 36035 Fulda, Germany
Phone: +49 (0) 661 60 03-7 25
Fax: +49 (0) 661 60 03-6 81
E-Mail: mail@jumo.net
Internet: www.jumo.de

JUMO House
Temple Bank, Riverway
Harlow, Essex CM20 2TT, UK
Phone: +44 (0) 12 79 63 55 33
Fax: +44 (0) 12 79 63 52 62
E-Mail: info@jumoinstruments.fsnet.co.uk

735 Fox Chase
Coatesville PA 19320, USA
Phone: 610-380-8002
1-800-554-JUMO
Fax: 610-380-8009
E-Mail: info@JumoUSA.com
Internet: www.JumoUSA.com



Pressure and differential pressure switch for air, smoke and flue gases

Adjustment range from 0.4 to 150mbar

Brief description

Pressure and differential pressure switches Type 4 ADS are used to measure vacuum, pressure or differential pressure in HVAC and filter technology, for example.

Pressure and differential pressure switches consist essentially of base, diaphragm, intermediate disc, case and protective cover. When used as pressure or vacuum switch, the base and diaphragm with disc form the pressure chamber.

When used as a differential pressure switch, the base and a second diaphragm with intermediate disc form the two pressure chambers.

A pressure change in the pressure chamber causes an axial displacement of a pin linked to the diaphragm. When the selected switching point is reached, a spring-loaded contact is activated.



Type 4 ADS-82

Technical data

Case

polycarbonate

Parts in contact with medium

polycarbonate

Diaphragm

NBR

Pressure connection

2x tubing nipple 4.6mm dia.

Cable entry

Pg 11

Electrical connection

screw terminals for up to 2.5mm² conductor cross-section

Type of contact

single-pole as changeover switch
fine silver (Ag)

Protection

IP 54

Adjustment ranges, differential

Adjustment range mbar	Differential Δp in mbar
0.4 to 3	≤ 0.3
1 to 10	≤ 0.5
2.5 to 50	≤ 1
30 to 150	≤ 3

Max. operating pressure

0 – 500mbar

Switching point accuracy

The setpoint indicated on the scale conforms to the actual value with a tolerance of $\pm 15\%$.

Rating

6A, 250 V AC, 50 – 60Hz p.f. = 1
3A, 250 V AC, 50 – 60Hz, p.f. = 0.6

Permissible ambient temperature and temperature of medium

-15 to +60°C

Switching function with rising pressure

1 n.c. opening, 2 n.o. closing

Switching function with falling pressure

1 n.c. closing, 2 n.o. opening

Operating position

The standard operating position is with the diaphragm standing vertically; with horizontal face-up mounting, the pressure monitor switches when the pressure is about 0.5mbar higher.

With horizontal face-down mounting, the pressure monitor switches when the pressure is about 0.5mbar lower.

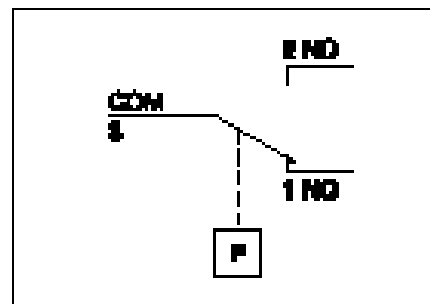
In an intermediate position, the pressure monitor will switch at a pressure that deviates by a maximum of ± 0.5 mbar from the selected setpoint.

Accessories

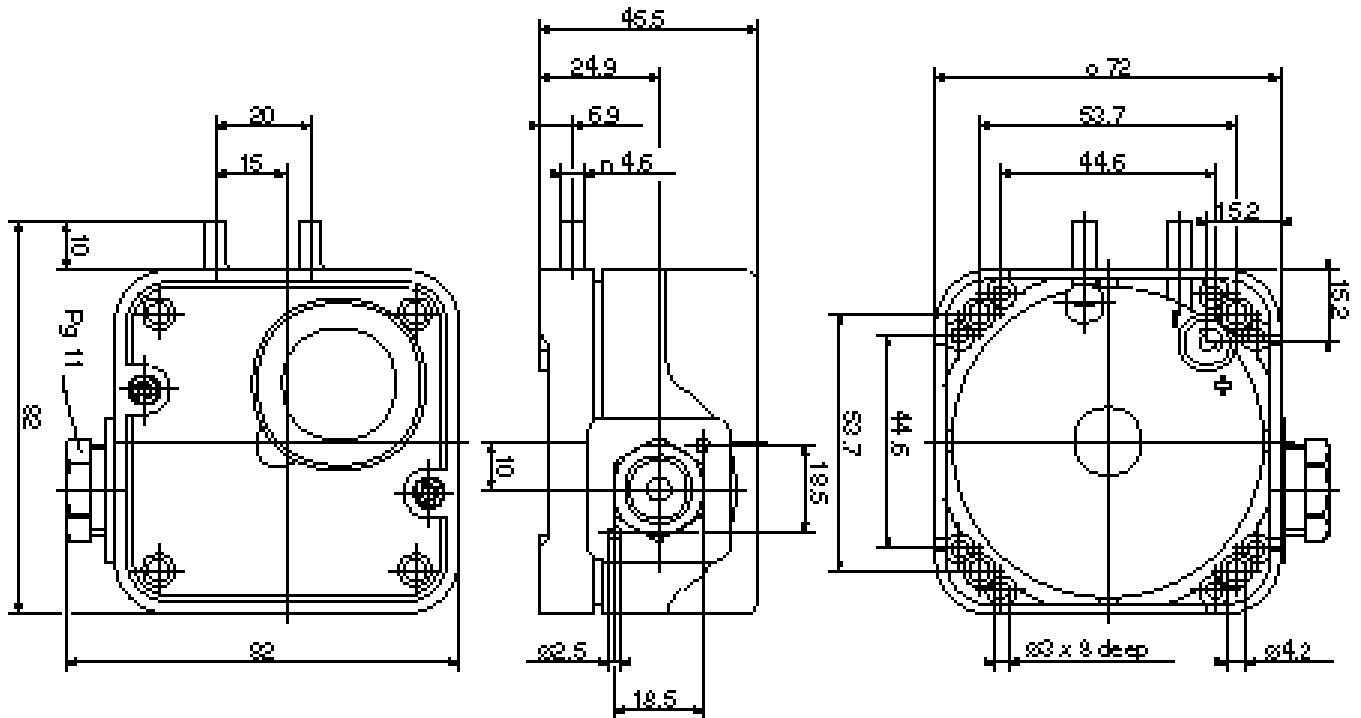
HVAC installation kit, consisting of:

- 2 tube connections
- 6 self-tapping screws
- 2 extension tubes
- 1 jig
- 1 plastic fixing bracket

Electrical connection



Dimensions



Ordering details

	(1) Basic version	4 ADS Pressure and differential pressure switch for air, smoke and flue gases surface-mounting as measuring device for differential pressure adjustment range 0.4 – 150 mbar
	(2) Dimensions	82 82mm x 82mm
	(3) Adjustment ranges	01 0.4 – 3mbar 02 1 – 10mbar 03 2.5 – 50mbar 04 30 – 150mbar
Ordering code	(1)	(2) (3)
Ordering example	4 ADS	- 82 , 01