

JUMO GmbH & Co. KG
Delivery address: Mackenrodtstraße 14
36039 Fulda, Germany
Postal address: 36035 Fulda, Germany
Phone: +49 661 6003-0
Fax: +49 661 6003-607
Email: mail@jumo.net
Internet: www.jumo.net

JUMO Instrument Co. Ltd.
JUMO House
Temple Bank, Riverway
Harlow, Essex, CM20 2DY, UK
Phone: +44 1279 63 55 33
Fax: +44 1279 62 50 29
Email: sales@jumo.co.uk
Internet: www.jumo.co.uk

JUMO Process Control, Inc.
6733 Myers Road
East Syracuse, NY 13057, USA
Phone: +1 315 437 5866
Fax: +1 315 437 5860
Email: info.us@jumo.net
Internet: www.jumousa.com



JUMO MAERA F27

Level probe

Application

Level and filling level measurement in¹

- water and sewage water management
- aggressive mediums, acids, lyes
- in electroplating baths

Brief description

The JUMO MAERA F27 level probe is used for the continuous hydrostatic level measurement of liquids. Filling heights between 0.5 mWS and 16 mWS (water column) can be achieved in ventilated tanks.

When the level probe is immersed into a liquid, a liquid column emerges above the probe. The liquid column increases as the probe is immersed deeper into the liquid and creates a hydrostatic pressure on the measuring system by the force of its weight. The measured pressure is transferred as a standard signal. The signal is linearly proportional to the rising liquid column.

The surrounding pressure is realized using a special cable with an integrated pressure equalization hose. Any variations in air pressure are therefore automatically compensated for and the surrounding pressure is taken into account. The installation can be performed in both indoor and outdoor areas.

A variant with integrated overvoltage protection is available for outdoor installations, which protects the level probe against damage in the event of lightning strikes in surrounding water. The version with a PTFE case is suitable for applications in aggressive mediums. With regard to the temperature-dependent density of a liquid, the medium temperature can be recorded with an integrated temperature sensor Pt100 during level measurement. This temperature value is then used to compensate.

Further information on our level probes from the JUMO MAERA series can be found in the brochure "Level probes – Hydrostatic level and level measurement" under Documentation.

Customer benefits

- **process reliable**
The capacitive ceramic measuring cell impresses with an overload resistance of up to 80 times. The measuring method ensures the highest requirements for resolution and reproducibility are met. The combination of a mechanically highly stress-resistant membrane with a stainless steel or PTFE case offers excellent chemical resistance against aggressive mediums. A reverse-polarity protection mechanism protects the measuring instrument against damage, ensuring maximum safety during startup.
- **versatile and uncomplicated**
The simultaneous measurement of level and temperature may be optionally achieved with a Pt100 temperature sensor. As the measuring range already starts from 50 mbar (0.5 mWS), even low level filling heights can be reliably monitored. A further temperature range of 80 K enables the use of many applications.



Type 404391/000..., Type 404391/022...

Special features

- level probe for continuous level measurement in liquids
- measuring ranges: 50 mbar to 1.6 bar (-20 to +60 °C)
- medium temperature: -20 to +60 °C
- capacitive ceramic sensor
- accuracy: 0.2 % MSP² (linearity)
- ultra-precise measuring cell
- excellent long-term stability
- membrane withstands high mechanical loading
- high chemical resistance
- high overload resistance (up to 80 times)
- integrated overvoltage protection for stainless steel version
- reverse-polarity protection mechanism
- optionally available with integrated temperature probe Pt100
- suitable for indoor and outdoor installations

¹ These recommendations are based on many years of experience; however, in individual cases they may not be fully applicable. We would be happy to provide further information, including regarding additional applications.

² MSP = measuring span

JUMO GmbH & Co. KG
 Delivery address: Mackenrodtstraße 14
 36039 Fulda, Germany
 Postal address: 36035 Fulda, Germany
 Phone: +49 661 6003-0
 Fax: +49 661 6003-607
 Email: mail@jumo.net
 Internet: www.jumo.net

JUMO Instrument Co. Ltd.
 JUMO House
 Temple Bank, Riverway
 Harlow, Essex, CM20 2DY, UK
 Phone: +44 1279 63 55 33
 Fax: +44 1279 62 50 29
 Email: sales@jumo.co.uk
 Internet: www.jumo.co.uk

JUMO Process Control, Inc.
 6733 Myers Road
 East Syracuse, NY 13057, USA
 Phone: +1 315 437 5866
 Fax: +1 315 437 5860
 Email: info.us@jumo.net
 Internet: www.jumousa.com



Technical data

General Information

Reference conditions	DIN 16086 and DIN EN 60770
Sensor system	Capacitive ceramic sensor
Mounting position	Vertical/hanging from the cable

Measuring range and accuracy

Case: stainless steel (standard)

Measuring range bar	Linearity ^a % MSP ^e	Accuracy at			Long term stability ^b % MSP per year	Overload capability bar	Burst pressure bar
		20 °C ^c % MSP	0 to 40 °C ^d % MSP	-20 to +60 °C ^d % MSP			
0 to 0.05 bar relative pressure	0.2	0.4	0.9	1.3	≤ 0.2	-0.3/4	150
0 to 0.1 bar relative pressure	0.2	0.4	0.9	1.3		-0.3/4	
0 to 0.16 bar relative pressure	0.2	0.4	0.9	1.3		5	
0 to 0.25 bar relative pressure	0.2	0.4	0.9	1.3		6	
0 to 0.4 bar relative pressure	0.2	0.4	0.9	1.3		6	
0 to 0.6 bar relative pressure	0.2	0.4	0.9	1.3		10	
0 to 1 bar relative pressure	0.2	0.4	0.4	0.6		10	
0 to 1.6 bar relative pressure	0.2	0.4	0.4	0.6		10	

Case: PTFE (basic type extension 022)

0 to 0.05 bar relative pressure	0.2	0.4	0.9	1.3	≤ 0.2	-0.3/2	150
0 to 0.1 bar relative pressure	0.2	0.4	0.9	1.3		-0.3/2	
0 to 0.16 bar relative pressure	0.2	0.4	0.9	1.3		2	
0 to 0.25 bar relative pressure	0.2	0.4	0.9	1.3		2	
0 to 0.4 bar relative pressure	0.2	0.4	0.9	1.3		2	
0 to 0.6 bar relative pressure	0.2	0.4	0.9	1.3		2	
0 to 1 bar relative pressure	0.2	0.4	0.4	0.6		2	
0 to 1.6 bar relative pressure	0.2	0.4	0.4	0.6		2	

^a Linearity according to limit point setting

^b Reference conditions EN 61298-1

^c Includes: linearity, hysteresis, repeatability, deviation of measuring range initial value and measuring range end value

^d Includes: linearity, hysteresis, repeatability, deviation of measuring range initial value and measuring range end value, thermal effect on measuring range start and measuring span

^e MSP = measuring span

JUMO GmbH & Co. KG
 Delivery address: Mackenrodtstraße 14
 36039 Fulda, Germany
 Postal address: 36035 Fulda, Germany
 Phone: +49 661 6003-0
 Fax: +49 661 6003-607
 Email: mail@jumo.net
 Internet: www.jumo.net

JUMO Instrument Co. Ltd.
 JUMO House
 Temple Bank, Riverway
 Harlow, Essex, CM20 2DY, UK
 Phone: +44 1279 63 55 33
 Fax: +44 1279 62 50 29
 Email: sales@jumo.co.uk
 Internet: www.jumo.co.uk

JUMO Process Control, Inc.
 6733 Myers Road
 East Syracuse, NY 13057, USA
 Phone: +1 315 437 5866
 Fax: +1 315 437 5860
 Email: info.us@jumo.net
 Internet: www.jumousa.com



Output

Analog output	
Current	4 to 20 mA, two-wire (output 405)
Voltage	DC 0.5 to 4.5 V, three-wire, ratiometric 10 to 90 % of the voltage supply
Step response	
T ₉₀	≤ 10 ms
Burden	
Current	
4 to 20 mA, two-wire (output 405)	$R_L \leq (U_B - 12 \text{ V}) \div 0.02 \text{ A } (\Omega)$
Voltage	
DC 0.5 to 4.5 V, three-wire (output 412)	$R_L \geq 10 \text{ k}\Omega$

Mechanical features

Ensure the medium durability of the material!

Process connection	
Material	Stainless steel 316 Ti
Sensor	
Material	Ceramic Al ₂ O ₃ (99.9 %)
Case	
Material	
Standard	Stainless steel 316 Ti
With case made of plastic (basic type extension 022)	PTFE
Seals	FPM, standard EPDM (extra code 917)
Protective cap (process connection 658)	PA
Weight	200 g (without cable)
Diameter	
Stainless steel version	41 mm
PTFE version	50 mm

JUMO GmbH & Co. KG
 Delivery address: Mackenrodtstraße 14
 36039 Fulda, Germany
 Postal address: 36035 Fulda, Germany
 Phone: +49 661 6003-0
 Fax: +49 661 6003-607
 Email: mail@jumo.net
 Internet: www.jumo.net

JUMO Instrument Co. Ltd.
 JUMO House
 Temple Bank, Riverway
 Harlow, Essex, CM20 2DY, UK
 Phone: +44 1279 63 55 33
 Fax: +44 1279 62 50 29
 Email: sales@jumo.co.uk
 Internet: www.jumo.co.uk

JUMO Process Control, Inc.
 6733 Myers Road
 East Syracuse, NY 13057, USA
 Phone: +1 315 437 5866
 Fax: +1 315 437 5860
 Email: info.us@jumo.net
 Internet: www.jumousa.com



Environmental influences

Admissible temperatures Medium/environment	-20 to +60 °C The device must not freeze in the medium! A restriction may be required depending on the medium.
With case made of plastic (basic type extension 022)	0 to 40 °C The device must not freeze in the medium! A restriction may be required depending on the medium.
Storage	-20 to +100 °C, dry
Electromagnetic compatibility Interference emission ^a Interference immunity ^c	Class B ^b Industrial requirements
Overvoltage protection ^d	Integrated overvoltage protection Rated leakage current: 1 kA
Protection type ^e	IP68, submersible to 16 m

^a According to EN 61326-2-3

^b The product is suitable for industrial use as well as for households and small businesses.

^c According to EN 61326-1

^d According to EN 61000-4-5

^e According to EN 60529

Auxiliary power

Voltage supply U_B ^a 4 to 20 mA, two-wire (output 405) DC 0.5 to 4.5 V, three-wire (output 412)	DC 12 to 30 V, nominal voltage DC 24 V DC 5 V
--	--

^a Residual ripple: the voltage peaks must not exceed or fall below the specified voltage supply values!

Reverse voltage protection	Yes (except DC 0.5 to 4.5 V, three-wire [output 412])
Max. current consumption	For DC 24 V \leq 25 mA For DC 5 V \leq 2 mA
Electrical circuit Requirements	SELV The device must be equipped with an electrical circuit that meets the requirements of EN 61010-1 with regard to "Limited-energy circuits".

JUMO GmbH & Co. KG
 Delivery address: Mackenrodtstraße 14
 36039 Fulda, Germany
 Postal address: 36035 Fulda, Germany
 Phone: +49 661 6003-0
 Fax: +49 661 6003-607
 Email: mail@jumo.net
 Internet: www.jumo.net

JUMO Instrument Co. Ltd.
 JUMO House
 Temple Bank, Riverway
 Harlow, Essex, CM20 2DY, UK
 Phone: +44 1279 63 55 33
 Fax: +44 1279 62 50 29
 Email: sales@jumo.co.uk
 Internet: www.jumo.co.uk

JUMO Process Control, Inc.
 6733 Myers Road
 East Syracuse, NY 13057, USA
 Phone: +1 315 437 5866
 Fax: +1 315 437 5860
 Email: info.us@jumo.net
 Internet: www.jumousa.com



Electrical connection

6-wire, shielded cable with integrated pressure compensation hose, AWG 24 with ferrules

Material	
Outer sheath	PE, PUR, FEP ^a
Pressure compensation hose	PA
Color	
PE-, FEP cable	Black
PUR cable	Pebble gray
Outer diameter	Approx. 8.4 mm
Conductor cross section	0.25 mm ²
Bending radius	
Moving	160 mm
Fixed	120 mm
	It is vital to take into account that if the protective hose is kinked or pinched, this will prevent ambient pressure compensation.
Tensile force	Up to 400 N
Weight	
PE, PUR cable	Approx. 115 g/m
FEP cable	Approx. 90 g/m
Admissible medium temperatures	-40 to +70 °C (depending on the medium)
UV resistance	PE and PUR cable according to VDE 0207, test method EN 60811 part 2-1, section 8 FEP cable according to DIN ISO 4892-2

^a Depending on the version ordered

JUMO GmbH & Co. KG
 Delivery address: Mackenrodtstraße 14
 36039 Fulda, Germany
 Postal address: 36035 Fulda, Germany
 Phone: +49 661 6003-0
 Fax: +49 661 6003-607
 Email: mail@jumo.net
 Internet: www.jumo.net

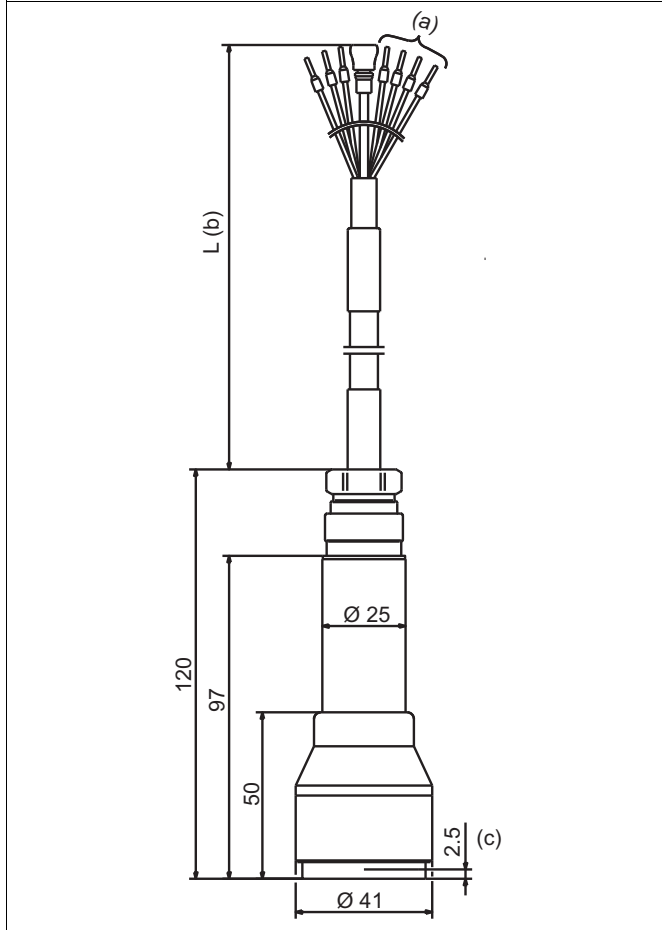
JUMO Instrument Co. Ltd.
 JUMO House
 Temple Bank, Riverway
 Harlow, Essex, CM20 2DY, UK
 Phone: +44 1279 63 55 33
 Fax: +44 1279 62 50 29
 Email: sales@jumo.co.uk
 Internet: www.jumo.co.uk

JUMO Process Control, Inc.
 6733 Myers Road
 East Syracuse, NY 13057, USA
 Phone: +1 315 437 5866
 Fax: +1 315 437 5860
 Email: info.us@jumo.net
 Internet: www.jumousa.com

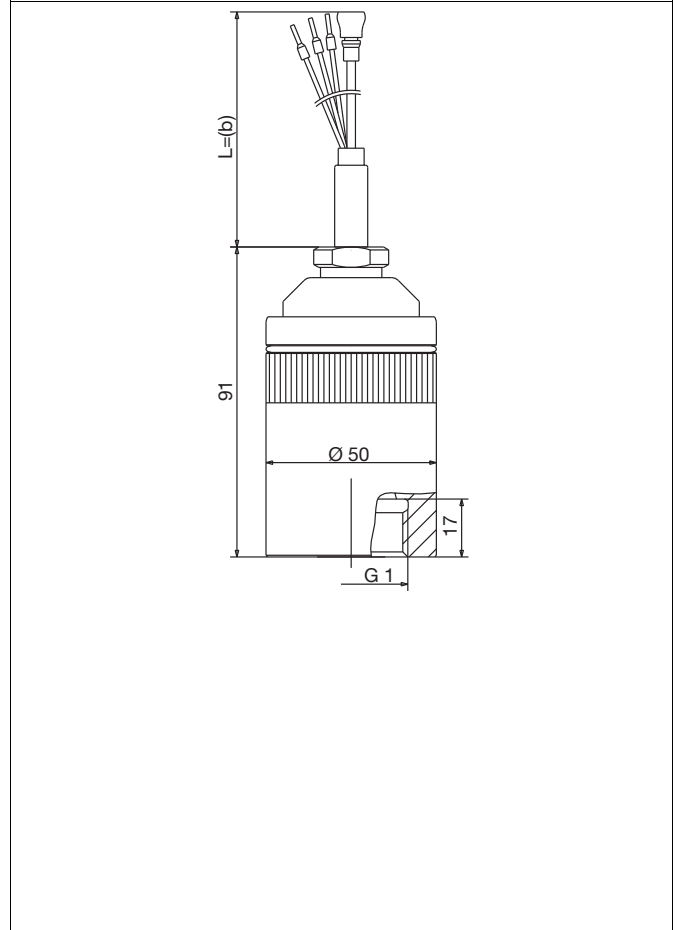


Dimensions

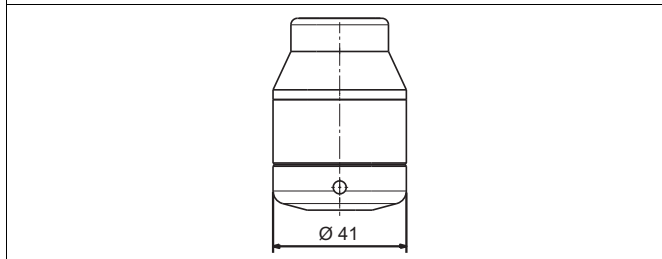
Type 404391/000-... or 404391/007-...
 With process connection 659



Type 404391/022-...
 With process connection 568



Type 404391/000-... or 404391/007-...
 With process connection 658



- (a) Only with basic type extension 007 (integrated temperature probe Pt100)
- (b) Cable length according to customer preference
- (c) Measurement to the surface of sensor

JUMO GmbH & Co. KG
 Delivery address: Mackenrodtstraße 14
 36039 Fulda, Germany
 Postal address: 36035 Fulda, Germany
 Phone: +49 661 6003-0
 Fax: +49 661 6003-607
 Email: mail@jumo.net
 Internet: www.jumo.net

JUMO Instrument Co. Ltd.
 JUMO House
 Temple Bank, Riverway
 Harlow, Essex, CM20 2DY, UK
 Phone: +44 1279 63 55 33
 Fax: +44 1279 62 50 29
 Email: sales@jumo.co.uk
 Internet: www.jumo.co.uk

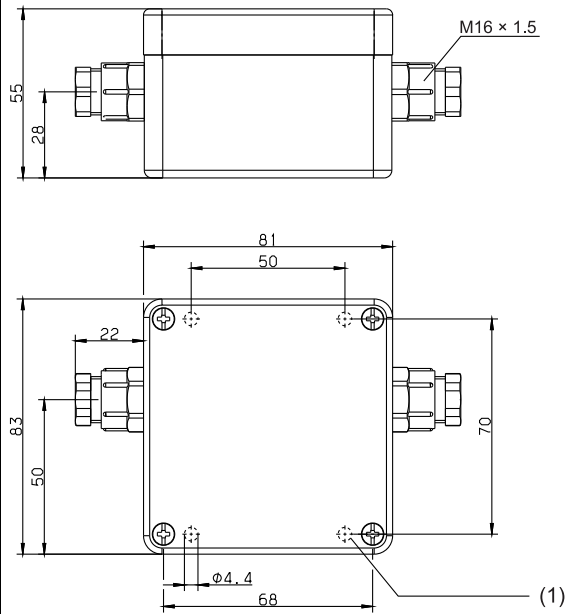
JUMO Process Control, Inc.
 6733 Myers Road
 East Syracuse, NY 13057, USA
 Phone: +1 315 437 5866
 Fax: +1 315 437 5860
 Email: info.us@jumo.net
 Internet: www.jumousa.com



Accessories

Terminal box with pressure compensation

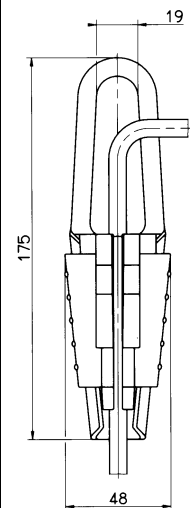
Part no. 00061206



(1) Fastening hole

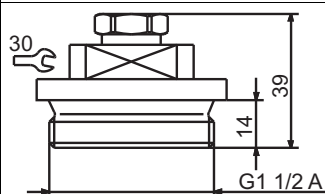
Cable clamp

Part no. 00061389



Sealing screw

Part no. 00333329



JUMO GmbH & Co. KG
 Delivery address: Mackenrodtstraße 14
 36039 Fulda, Germany
 Postal address: 36035 Fulda, Germany
 Phone: +49 661 6003-0
 Fax: +49 661 6003-607
 Email: mail@jumo.net
 Internet: www.jumo.net


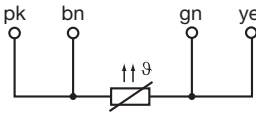
JUMO Instrument Co. Ltd.
 JUMO House
 Temple Bank, Riverway
 Harlow, Essex, CM20 2DY, UK
 Phone: +44 1279 63 55 33
 Fax: +44 1279 62 50 29
 Email: sales@jumo.co.uk
 Internet: www.jumo.co.uk

JUMO Process Control, Inc.
 6733 Myers Road
 East Syracuse, NY 13057, USA
 Phone: +1 315 437 5866
 Fax: +1 315 437 5860
 Email: info.us@jumo.net
 Internet: www.jumousa.com



Connection diagram

The connection diagram in the data sheet provides preliminary information about the connection options. For the electrical connection, only use the installation instructions or the operating manual. The knowledge and the correct technical compliance with the safety information and warnings contained in these documents are mandatory for mounting, electrical connection, and startup as well as for safety during operation.

Connection		Terminal assignment
		
		Cable ^a
4 to 20 mA, two-wire (output 405)		
Voltage supply DC 12 to 30 V Rated voltage supply DC 24 V	$U_{B/S}^{+b}$ 0 V/S-	White Gray
DC 0.5 to 4.5 V, ratiometric (output 412)		
Voltage supply DC 5 V Rated voltage supply DC 5 V	U_B 0 V/S- S+	White Gray Yellow
Shielding		
Caution: Ground the device! Ground all connected devices (such as pumps and valves) to the same potential!		Black
Integrated temperature probe (with basic type extension 007)^c		
		Pink (pk) Brown (bn) Green (gn) Yellow (ye)

^a For cable specifications, see installation instructions B 401015.4, chapter 6 "Installation and mounting".

^b The voltage peaks must not exceed or fall below the specified voltage supply value!

^c Level probes in free-field applications without integrated overvoltage protection must be protected against electrical discharge. In addition, it is recommended that external overvoltage protection is used upstream and downstream of the display or processing unit.

JUMO GmbH & Co. KG
 Delivery address: Mackenrodtstraße 14
 36039 Fulda, Germany
 Postal address: 36035 Fulda, Germany
 Phone: +49 661 6003-0
 Fax: +49 661 6003-607
 Email: mail@jumo.net
 Internet: www.jumo.net

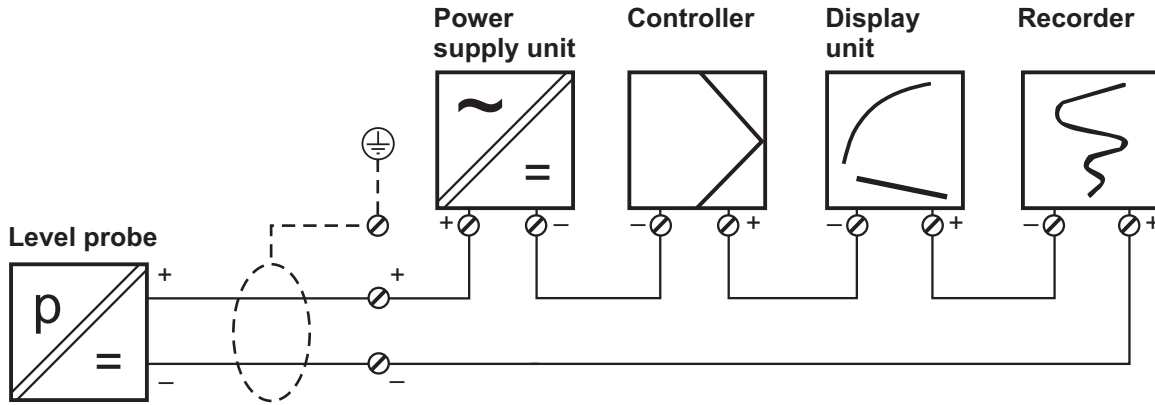
JUMO Instrument Co. Ltd.
 JUMO House
 Temple Bank, Riverway
 Harlow, Essex, CM20 2DY, UK
 Phone: +44 1279 63 55 33
 Fax: +44 1279 62 50 29
 Email: sales@jumo.co.uk
 Internet: www.jumo.co.uk

JUMO Process Control, Inc.
 6733 Myers Road
 East Syracuse, NY 13057, USA
 Phone: +1 315 437 5866
 Fax: +1 315 437 5860
 Email: info.us@jumo.net
 Internet: www.jumousa.com

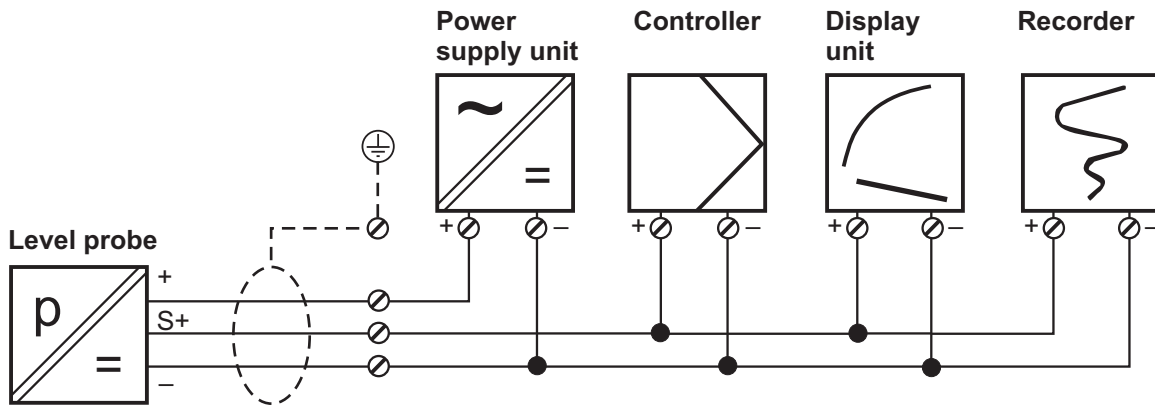


Connection example

Current output



Voltage output






JUMO GmbH & Co. KG
 Delivery address: Mackenrodtstraße 14
 36039 Fulda, Germany
 Postal address: 36035 Fulda, Germany
 Phone: +49 661 6003-0
 Fax: +49 661 6003-607
 Email: mail@jumo.net
 Internet: www.jumo.net

JUMO Instrument Co. Ltd.
 JUMO House
 Temple Bank, Riverway
 Harlow, Essex, CM20 2DY, UK
 Phone: +44 1279 63 55 33
 Fax: +44 1279 62 50 29
 Email: sales@jumo.co.uk
 Internet: www.jumo.co.uk

JUMO Process Control, Inc.
 6733 Myers Road
 East Syracuse, NY 13057, USA
 Phone: +1 315 437 5866
 Fax: +1 315 437 5860
 Email: info.us@jumo.net
 Internet: www.jumousa.com



Accessories

Item	Description	Part no.
Terminal box with pressure compensation element 	<p>The terminal box is used for secure installation of the level probe cable. The end of the pressure equalization hose is always protected from precipitate and condensation (IP65). The remaining distribution can be performed with a cable without a pressure equalization hose.</p> <p>The terminal case should be mounted as close as possible to the medium surface while still outside the medium to ensure the system is implemented cost-effectively and in the best possible way.</p>	00061206
Cable clamp 	<p>The cable clamp holds the probe in the liquid at a defined depth and provides strain relief. Use of the cable clamp ensures that the cable is not deformed in an unacceptable manner.</p> <p>The cable clamp is compatible with all JUMO level probes.</p> <p>The clamping range is 5.5 mm to 10.5 mm. The maximum tensile strength is 2.5 kN. The case is made of hot-dip galvanized steel sheet. The clamping jaws and guide clips are made of glass fiber reinforced polyamide. A stainless steel variant is also available upon request.</p>	00061389
Sealing screw 	<p>For closed containers or water wells with a well head, the cable should be guided through and fastened by a sealing screw.</p> <p>The sealing screw is made up of a G 1 1/2" thread and is used to route the cable.</p>	00333329
Pressure compensation filter for cable	<p>The pressure compensation filter is a breathable filter that ensures aeration and exhaust-air ventilation without moisture penetrating. It is fitted at the end of the special cable.</p>	00382632