

JUMO GmbH & Co. KG
Delivery address: Mackenrodtstraße 14
36039 Fulda, Germany
Postal address: 36035 Fulda, Germany
Phone: +49 661 6003-0
Fax: +49 661 6003-607
Email: mail@jumo.net
Internet: www.jumo.net

JUMO Instrument Co. Ltd.
JUMO House
Temple Bank, Riverway
Harlow, Essex CM 20 2DY, UK
Phone: +44 1279 63 55 33
Fax: +44 1279 62 50 29
Email: sales@jumo.co.uk
Internet: www.jumo.co.uk

JUMO Process Control, Inc.
6733 Myers Road
East Syracuse, NY 13057, USA
Phone: +1 315 437 5866
Fax: +1 315 437 5860
Email: info.us@jumo.net
Internet: www.jumousa.com



JUMO tecLine CR

Stainless steel and titanium conductive conductivity sensors

Type series 202924 (previous type series 2 EL6...)

Typical areas of application

- Pure and highly-purified water
- Pharmaceutical industry
- Chemicals
- Food technology
- Chip manufacturing
- Ion exchangers
- Reverse osmosis plants

Features

- 2-electrodes principle
- For measuring ranges from 0.05 $\mu\text{S/cm}$ to 1 mS/cm
- Sturdy design type
- Wide variety of process connections
- Various insertion lengths
- Pharmaceutical version available
- Made up of physiologically safe, FDA-compliant materials

Brief description

JUMO conductivity sensors are used in conjunction with suitable transducers to define the electrolytic conductivity in liquids. The type series 202924 sensors work according to the 2-electrodes principle. The transducer supplies them with alternating voltage. The current that is carried through the liquid and the electrodes is defined by the medium's conductivity.

Special versions

Pharmaceutically-compliant conductivity sensors with a surface roughness $< 0.8 \mu\text{m}$ are supplied as "pharmaceutical packages" with certificates (ASTM test certificate, FDA approval for insulators and O-rings, inspection certificate 3.1). The sensors are packed air tight in foil.

A special conductivity sensor is available for **high temperature applications**. This sensor can be used for medium temperatures of up to 200 °C and a maximum pressure of 17 bar.

Furthermore, we also offer conductivity sensors as **thin versions** that have a shaft diameter of only 16 mm.



Type 202924/10... (Example)



Type 202924/20... (Example)



Type 202924/30... (Example)

JUMO GmbH & Co. KG
 Delivery address: Mackenrodtstraße 14
 36039 Fulda, Germany
 Postal address: 36035 Fulda, Germany
 Phone: +49 661 6003-0
 Fax: +49 661 6003-607
 Email: mail@jumo.net
 Internet: www.jumo.net

JUMO Instrument Co. Ltd.
 JUMO House
 Temple Bank, Riverway
 Harlow, Essex CM 20 2DY, UK
 Phone: +44 1279 63 55 33
 Fax: +44 1279 62 50 29
 Email: sales@jumo.co.uk
 Internet: www.jumo.co.uk

JUMO Process Control, Inc.
 6733 Myers Road
 East Syracuse, NY 13057, USA
 Phone: +1 315 437 5866
 Fax: +1 315 437 5860
 Email: info.us@jumo.net
 Internet: www.jumousa.com



Technical data

| Type | 202924/10... | 202924/20... | 202924/21... | 202924/30... | 202924/31... |
|---------------------------------------|--|---|---------------|---|---|
| Cell constants ^a | K = 0.01 cm ⁻¹ K = 0.1 cm ⁻¹ | | | | |
| Typical measuring ranges ^b | 0.05 to 10 µS/cm (when K = 0.01) 1 µS to 1 mS/cm (when K = 0.1) | | | | |
| Temperature compensation | With Pt100 or Pt1000, both at least class A | | | | |
| Process connections | Thread G 1/2 A, Thread G 3/4 A, Thread G 1 A, Thread 1/2"-14 NPT, Thread 3/4"-14 NPT, Taper socket with union nut DN 50 DIN 11851 (dairy pipe fitting), Clamp DN 25 | Thread G 1/2 A Clamp DN 25 | Clamp DN 25 | JUMO PEKA Adapter: Orbital welding socket DN 25-40, VARIVENT® DN 50- 150 | JUMO PEKA Adapter: Orbital welding socket DN 25-40, VARIVENT® DN 50- 150, Clamp DN 25-50, Aseptic DN 40/50, Aseptic NKS DN 40 |
| Body materials | PVDF (default), Stainless steel 1.4571 (optional extra), High temperature version: Stainless steel 1.4404 (optional extra) | Stainless steel 1.4435, similar to 316L, version for pharmaceutical industry | | | |
| Cell materials | Stainless steel 1.4571 (default), Titanium (optional extra) High temperature version: Stainless steel 1.4404 (default) | Stainless steel 1.4435, similar to 316L, version for pharmaceutical industry | | | |
| Operating temperature | Up to 135 °C; High temperature version: Up to 200 °C | Up to 135 °C | | Up to 135 °C (standard operation); Up to 150 °C (sterilization, max. 45 min.) | |
| Maximum pressure | 16 bar at 25 °C or 9 bar at 60 °C; High temperature version: 40 bar at 25 °C or 17 bar at 200 °C; | 16 bar at 25 °C or 1 bar at 135 °C | | 9 bar at 25 °C or 5 bar at 150 °C, max. 45 min. | |
| Electrical connections | Right-angle connector (default) Fixed cable (optional extra) High temperature version: Right-angle connector | M12 connector (default) Fixed cable (optional extra) Right-angle con- nector (optional extra) | M12 connector | | |

Certificates

| | |
|-----------------------|--|
| ASTM test certificate | Determination of the exactly measured cell constant according to ASTM D1125-95 and ASTM D5391-99 (one-point calibration) |
| FDA approval | The plastics used (insulators and O-rings) are FDA-listed |
| Optional certificates | Certificate of compliance according to EN 10204 2.1, EN 10204 2.2, EN 10204 3.1 (material, roughness) |

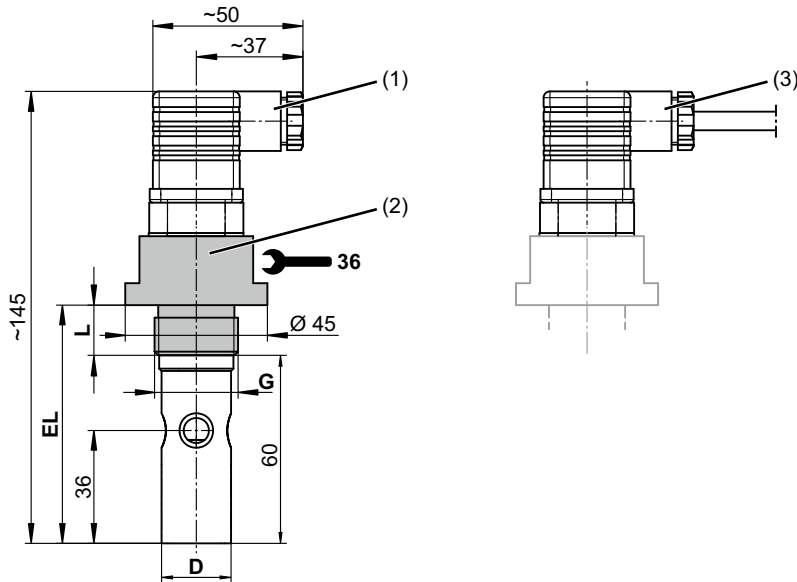
^a The cell constant can differ by ±10 % of the nominal value depending on manufacturing. This deviation can be equalized on the transducer.

^b The measuring ranges depend on the transducer being used. When used in measuring ranges larger than the "typical" one, incorrect measured values may occur due to polarization.



Type 202924/10 dimensions...

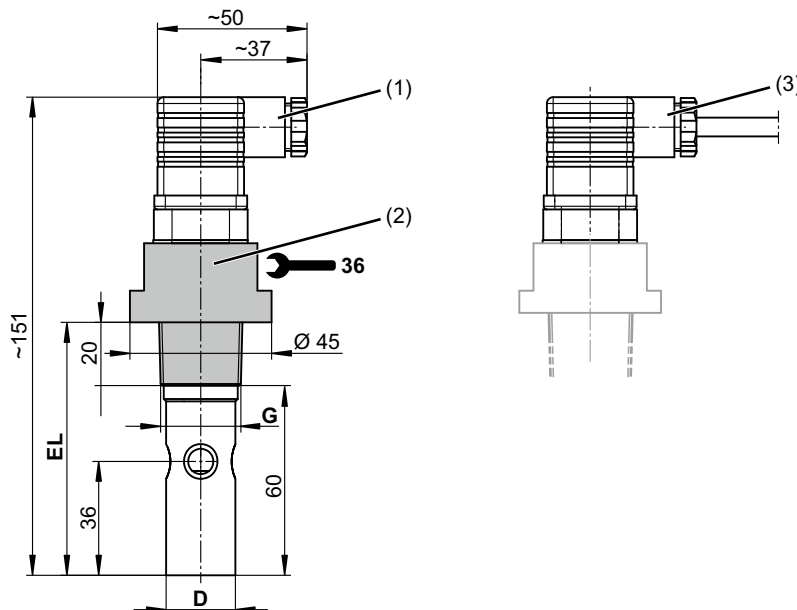
Process connections -104, -105 und -106 (G thread)



| Thread | L | Shaft Ø | Insertion length |
|---------|----|---------|------------------|
| G 1/2 A | 14 | 16 | 74 |
| G 3/4 A | 16 | 22 | 76 |
| G 1 A | 18 | 22 | 78 |

- (1) Right-angle connector (default) (3) Fixed cable (optional extra)
 (2) Process connection

Process connections -144 and -145 (NPT thread)



| Thread | Shaft Ø | Insertion length |
|------------|---------|------------------|
| G | D | EL |
| 1/2-14 NPT | 16 | 80 |
| 3/4-14 NPT | 22 | 80 |

- (1) Right-angle connector (default) (3) Fixed cable (optional extra)
 (2) Process connection

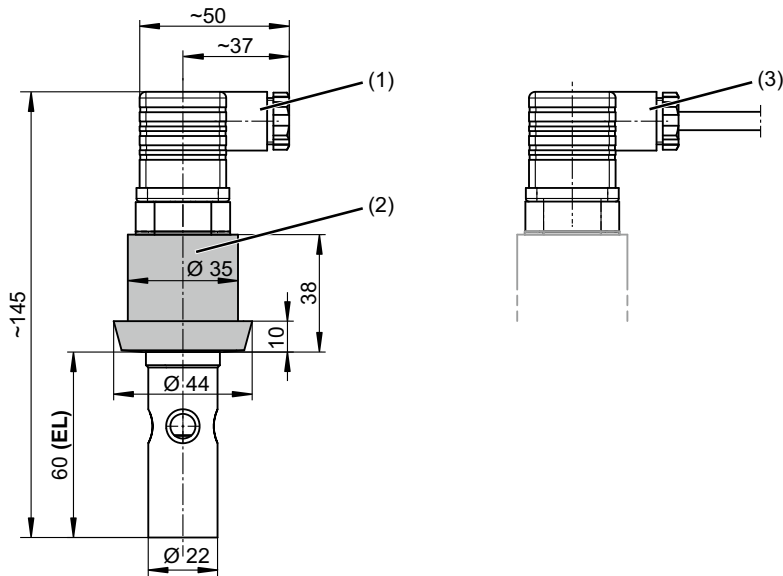
JUMO GmbH & Co. KG
 Delivery address: Mackenrodtstraße 14
 36039 Fulda, Germany
 Postal address: 36035 Fulda, Germany
 Phone: +49 661 6003-0
 Fax: +49 661 6003-607
 Email: mail@jumo.net
 Internet: www.jumo.net

JUMO Instrument Co. Ltd.
 JUMO House
 Temple Bank, Riverway
 Harlow, Essex CM 20 2DY, UK
 Phone: +44 1279 63 55 33
 Fax: +44 1279 62 50 29
 Email: sales@jumo.co.uk
 Internet: www.jumo.co.uk

JUMO Process Control, Inc.
 6733 Myers Road
 East Syracuse, NY 13057, USA
 Phone: +1 315 437 5866
 Fax: +1 315 437 5860
 Email: info.us@jumo.net
 Internet: www.jumousa.com

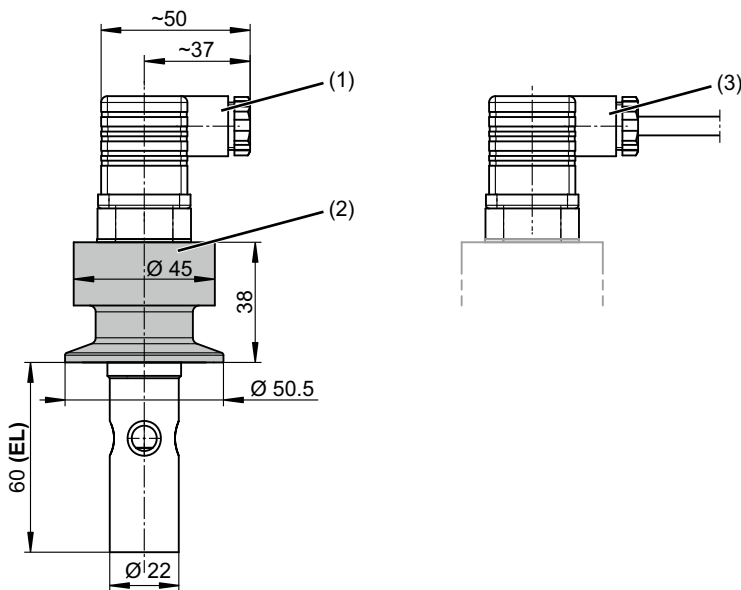


Process connection -604 "dairy pipe fitting" (taper socket with union nut DN 50 DIN 11851)



- (1) Right-angle connector (default)
- (2) Process connection
- (3) Fixed cable (optional extra)

Process connection -613 (clamp DN 25)



- (1) Right-angle connector (default)
- (2) Process connection
- (3) Fixed cable (optional extra)

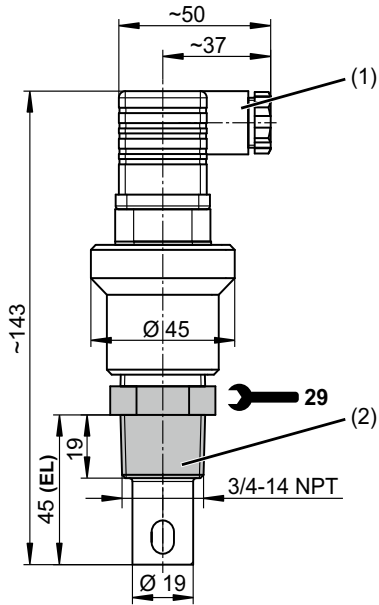
JUMO GmbH & Co. KG
Delivery address: Mackenrodtstraße 14
36039 Fulda, Germany
Postal address: 36035 Fulda, Germany
Phone: +49 661 6003-0
Fax: +49 661 6003-607
Email: mail@jumo.net
Internet: www.jumo.net

JUMO Instrument Co. Ltd.
JUMO House
Temple Bank, Riverway
Harlow, Essex CM 20 2DY, UK
Phone: +44 1279 63 55 33
Fax: +44 1279 62 50 29
Email: sales@jumo.co.uk
Internet: www.jumo.co.uk

JUMO Process Control, Inc.
6733 Myers Road
East Syracuse, NY 13057, USA
Phone: +1 315 437 5866
Fax: +1 315 437 5860
Email: info.us@jumo.net
Internet: www.jumousa.com



High temperature version (extra code -765)

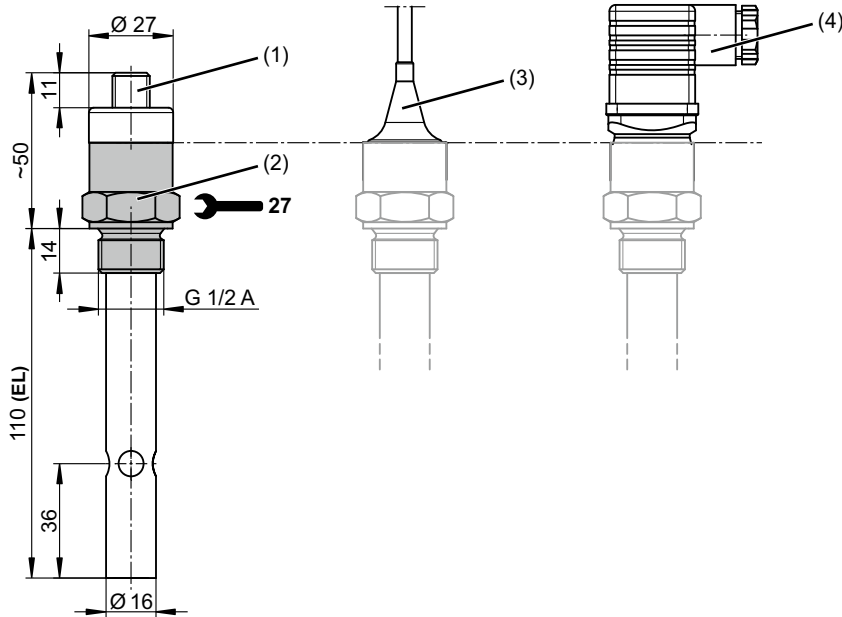


- (1) Right-angle connector
- (2) Process connection



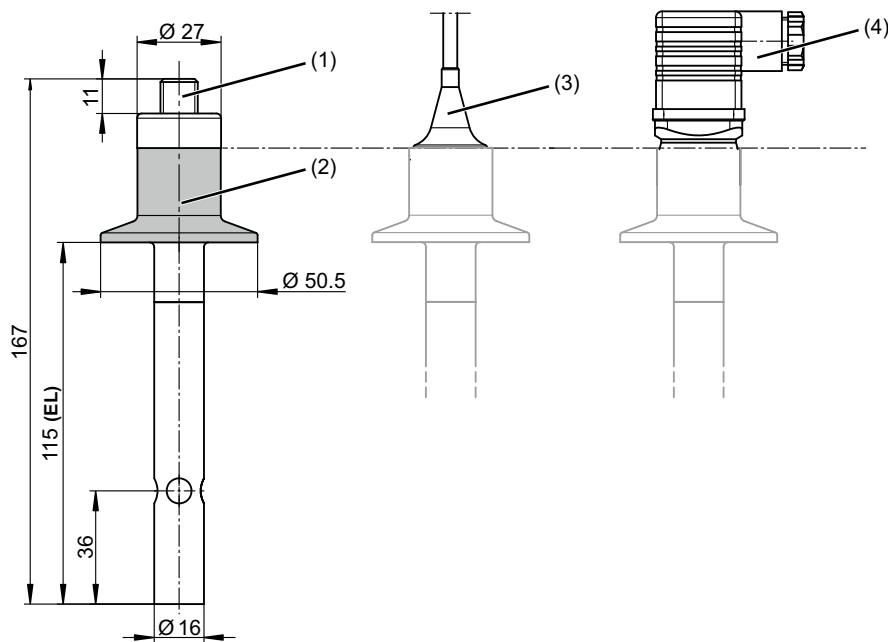
Type 202924/20 dimensions...

Process connection -104 (thread G 1/2 A)



- | | |
|-----------------------------|--|
| (1) M12 connector (default) | (3) Fixed cable (optional extra) |
| (2) Process connection | (4) Right-angle connector (optional extra) |

Process connection -613 (clamp DN 25)

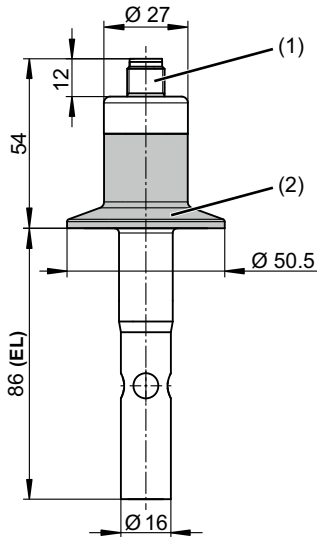


- | | |
|-----------------------------|--|
| (1) M12 connector (default) | (3) Fixed cable (optional extra) |
| (2) Process connection | (4) Right-angle connector (optional extra) |



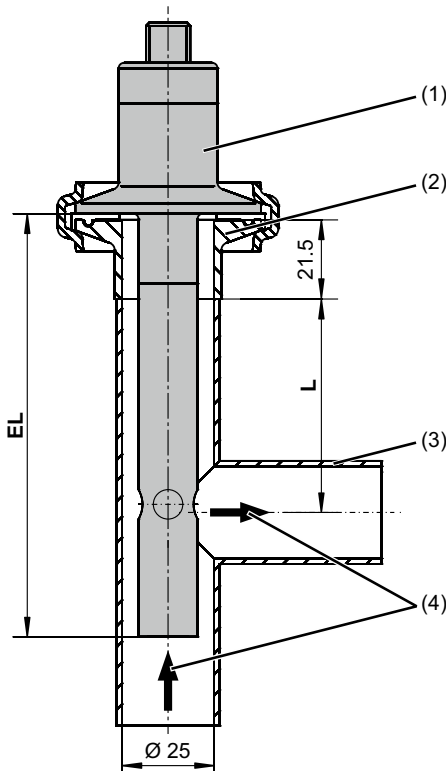
Type 202924/21 dimensions...

Process connection -613 (clamp DN 25)



- (1) M12 connector
- (2) Process connection

Type 202924/20... and /21... installation example



- (1) Sensor with process connection clamp DN 25
- (2) Clamp socket DIN DN 25, 1", ISO DN 20
- (3) T-piece (**not included in the scope of delivery!**)
- (4) Flow direction

Recommended T-piece for installing the sensors

| Sensor | T-piece | Length L |
|-----------------------------|--------------------------------|----------|
| 202924/20... EL = 115 mm | DIN 11852, DN 25 | 50 mm |
| 202924/21... EL = 86 mm | Similar DIN 11852, DN 25 | 27 mm |

JUMO GmbH & Co. KG
 Delivery address: Mackenrodtstraße 14
 36039 Fulda, Germany
 Postal address: 36035 Fulda, Germany
 Phone: +49 661 6003-0
 Fax: +49 661 6003-607
 Email: mail@jumo.net
 Internet: www.jumo.net

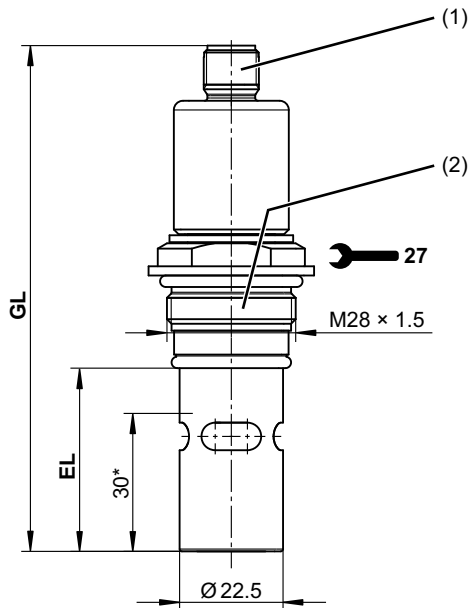
JUMO Instrument Co. Ltd.
 JUMO House
 Temple Bank, Riverway
 Harlow, Essex CM 20 2DY, UK
 Phone: +44 1279 63 55 33
 Fax: +44 1279 62 50 29
 Email: sales@jumo.co.uk
 Internet: www.jumo.co.uk

JUMO Process Control, Inc.
 6733 Myers Road
 East Syracuse, NY 13057, USA
 Phone: +1 315 437 5866
 Fax: +1 315 437 5860
 Email: info.us@jumo.net
 Internet: www.jumousa.com



Type 202924/30... and /31... dimensions

Process connection -997 (JUMO PEKA hygienic process connection)



| Installation length EL | Total length GL | Sensor type |
|---------------------------|--------------------|--------------|
| 40 | 110 | 202924/30... |
| 70 | 140 | 202924/31... |

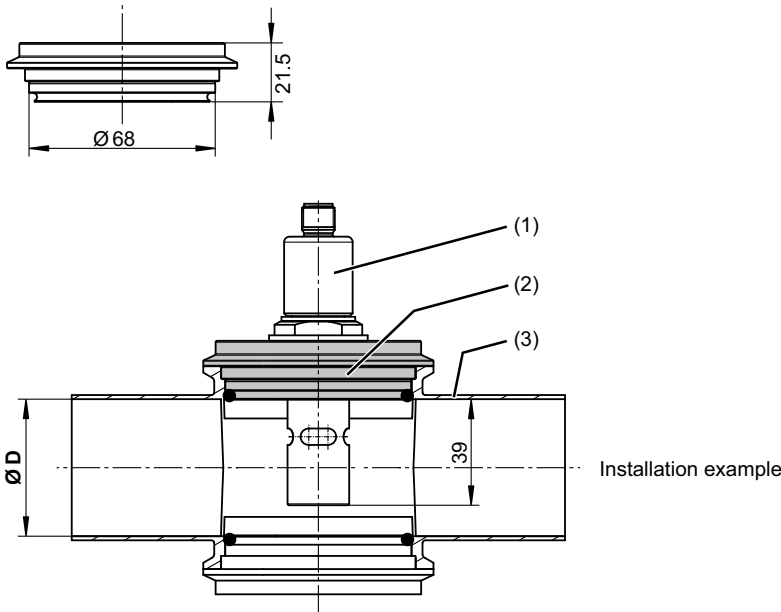
- (1) M12 connector
- (2) Process connection 997 (PEKA),
Stainless steel 1.4435

* Minimum immersion depth



Process connection adapter for type 202924/30... and /31...

Varivent DN 40 - 150
 Part no.: 00577961



| VARIVENT® housing DN ^a | Ø D | Sensor type |
|-----------------------------------|-----|-------------------------------------|
| 40 | 40 | -- |
| 50 | 50 | 202924/30 |
| 65 | 70 | 202924/30 |
| 80 | 81 | 202924/30 ^b 202924/31 |
| 100 | 100 | 202924/30 ^b 202924/31 |
| 125 | 125 | 202924/30 ^b 202924/31 |
| 150 | 150 | 202924/30 ^b 202924/31 |

^a To be provided by the customer.

^b Preferred sensor type.

O-ring not included in the scope of delivery!

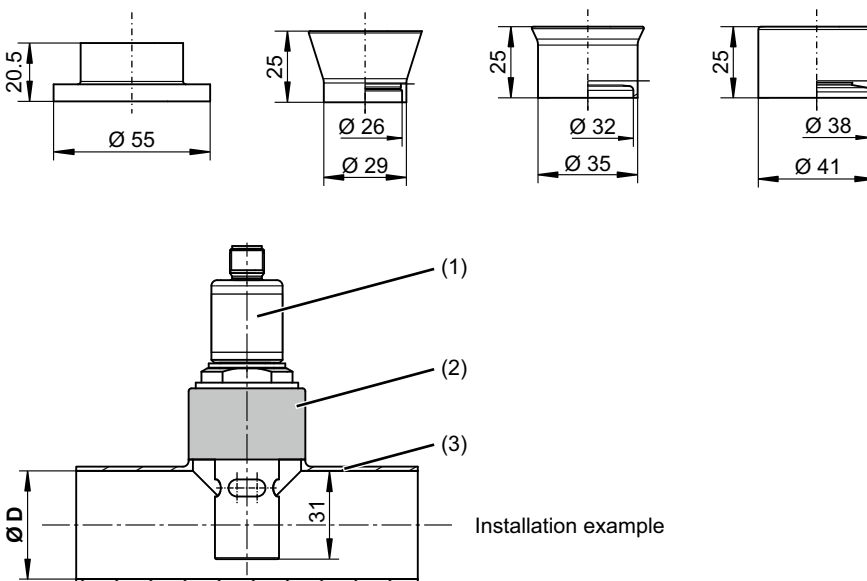
- (1) JUMO tecLine CR-PEKA sensor (3) VARIVENT® housing
 (2) VARIVENT® DN 40 - 150 process adapter

Welding socket Ø 55
 Part no.: 00447190

Orbital welding socket DN 25
 Part no.: 00530211

Orbital welding socket DN 32
 Part no.: 00530212

Orbital welding socket DN 40
 Part no.: 00531973



| Orbital welding socket DN | T-piece DN ^a | Ø D | Sensor type ^e |
|---------------------------|-------------------------|-------------------------------------|-------------------------------------|
| 25/32/40 | 40-25/32/40 | 38 | 202924/30 |
| | 50-25/32/40 | 50 | |
| | 65-25/32/40 | 70 | |
| | 80-25/32/40 | 81 | 202924/30 ^b 202924/31 |
| | 100-25/32/40 | 100 | 202924/30 ^b 202924/31 |
| | 125-25/32/40 | 125 | 202924/30 ^b 202924/31 |
| 150-25/32/40 | 150 | 202924/30 ^b 202924/31 | |

^a To be provided by the customer.

^b Preferred sensor type.

- (1) JUMO tecLine CR-PEKA sensor (3) Short T-piece, similar to DIN 11852
 (2) Welding socket

JUMO GmbH & Co. KG
 Delivery address: Mackenrodtstraße 14
 36039 Fulda, Germany
 Postal address: 36035 Fulda, Germany
 Phone: +49 661 6003-0
 Fax: +49 661 6003-607
 Email: mail@jumo.net
 Internet: www.jumo.net

JUMO Instrument Co. Ltd.
 JUMO House
 Temple Bank, Riverway
 Harlow, Essex CM 20 2DY, UK
 Phone: +44 1279 63 55 33
 Fax: +44 1279 62 50 29
 Email: sales@jumo.co.uk
 Internet: www.jumo.co.uk

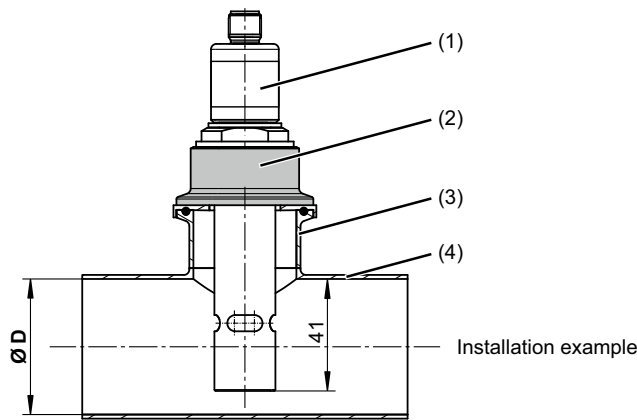
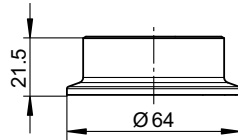
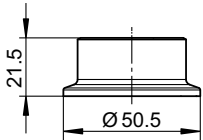
JUMO Process Control, Inc.
 6733 Myers Road
 East Syracuse, NY 13057, USA
 Phone: +1 315 437 5866
 Fax: +1 315 437 5860
 Email: info.us@jumo.net
 Internet: www.jumousa.com



Process connection adapter for type 202924/31...

Clamp DN 25/32/40
 Part no.: 00577998

Clamp DN 50
 Part no.: 00577997



- (1) JUMO tecLine CR-PEKA sensor
- (2) Clamp process adapter
- (3) Clamp socket DIN 32676
- (4) Short T-piece, similar to DIN 11852

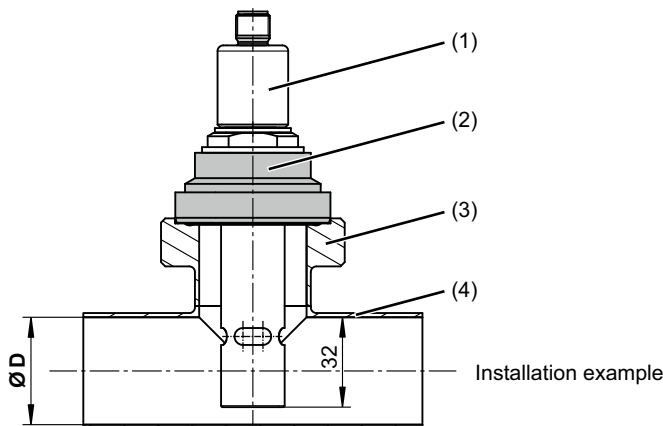
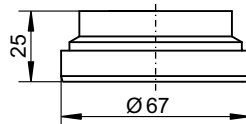
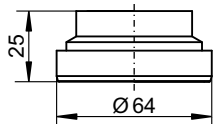
| Clamp socket DN ^a | T-piece DN ^a | Ø D |
|------------------------------|-------------------------|-----|
| 25/32/40 | 50 - 25/32/40 | 50 |
| | 65 - 25/32/40 | 70 |
| | 80 - 25/32/40 | 81 |
| | 100 - 25/32/40 | 100 |
| | 125 - 25/32/40 | 125 |
| 50 | 150 - 25/32/40 | 150 |
| | 50 - 50 | 50 |
| | 65 - 50 | 70 |
| | 80 - 50 | 81 |
| | 100 - 50 | 100 |
| | 125 - 50 | 125 |
| | 150 - 50 | 150 |

^a To be provided by the customer.

O-ring not included in the scope of delivery!

Aseptic DN 40
 Part no.: 00577995

Aseptic DN 50
 Part no.: 00577979



- (1) JUMO tecLine CR-PEKA sensor
- (2) Aseptic process adapter
- (3) Threaded connection DIN 11864-1
- (4) Short T-piece, similar to DIN 11852

| Threaded connection DN ^a | T-piece DN ^a | Ø D |
|-------------------------------------|-------------------------|-----|
| 40 | 40 - 40 | 38 |
| | 50 - 40 | 50 |
| | 65 - 40 | 70 |
| | 80 - 40 | 81 |
| | 100 - 40 | 100 |
| | 125 - 40 | 125 |
| 50 | 150 - 40 | 150 |
| | 50 - 50 | 50 |
| | 65 - 50 | 70 |
| | 80 - 50 | 81 |
| | 100 - 50 | 100 |
| | 125 - 50 | 125 |
| | 150 - 50 | 150 |

^a To be provided by the customer.

O-ring not included in the scope of delivery!

JUMO GmbH & Co. KG
 Delivery address: Mackenrodtstraße 14
 36039 Fulda, Germany
 Postal address: 36035 Fulda, Germany
 Phone: +49 661 6003-0
 Fax: +49 661 6003-607
 Email: mail@jumo.net
 Internet: www.jumo.net

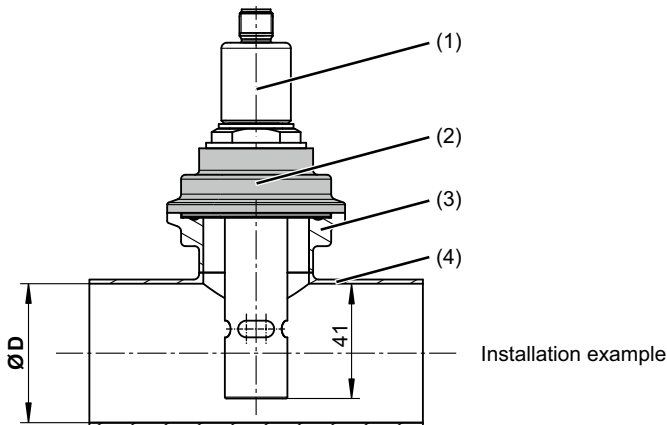
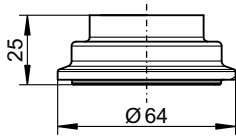
JUMO Instrument Co. Ltd.
 JUMO House
 Temple Bank, Riverway
 Harlow, Essex CM 20 2DY, UK
 Phone: +44 1279 63 55 33
 Fax: +44 1279 62 50 29
 Email: sales@jumo.co.uk
 Internet: www.jumo.co.uk

JUMO Process Control, Inc.
 6733 Myers Road
 East Syracuse, NY 13057, USA
 Phone: +1 315 437 5866
 Fax: +1 315 437 5860
 Email: info.us@jumo.net
 Internet: www.jumousa.com



Aseptic NKS DN 40

Part no.: 00577999



| Collar clamp socket ^a | T-piece DN ^a | Ø D |
|----------------------------------|-------------------------|-----|
| NKS DN 40 form A | 50 - 40 | 50 |
| | 65 - 40 | 70 |
| | 80 - 40 | 81 |
| | 100 - 40 | 100 |
| | 125 - 40 | 125 |
| | 150 - 40 | 150 |

^a To be provided by the customer.

O-ring not included in the scope of delivery!

- (1) JUMO tecLine CR-PEKA sensor
- (2) Aseptic process adapter NKS DN 40
- (3) Collar clamp socket DIN 11864-3
- (4) Short T-piece, similar to DIN 11852


JUMO GmbH & Co. KG
 Delivery address: Mackenrodtstraße 14
 36039 Fulda, Germany
 Postal address: 36035 Fulda, Germany
 Phone: +49 661 6003-0
 Fax: +49 661 6003-607
 Email: mail@jumo.net
 Internet: www.jumo.net

JUMO Instrument Co. Ltd.
 JUMO House
 Temple Bank, Riverway
 Harlow, Essex CM 20 2DY, UK
 Phone: +44 1279 63 55 33
 Fax: +44 1279 62 50 29
 Email: sales@jumo.co.uk
 Internet: www.jumo.co.uk

JUMO Process Control, Inc.
 6733 Myers Road
 East Syracuse, NY 13057, USA
 Phone: +1 315 437 5866
 Fax: +1 315 437 5860
 Email: info.us@jumo.net
 Internet: www.jumousa.com



Electrical connection

| Connection for | right-angle connector | M12 connector | Fixed cable |
|---|---|---------------|-------------|
| Outer electrode |  | 1 | White |
| Inner electrode | 2 | 2 | Brown |
| Temperature compensation (optional extra) | 1 | 3 | Yellow |
| | 3 | 4 | Green |
| 3-wire circuit | | 5 | |

JUMO GmbH & Co. KG
 Delivery address: Mackenrodtstraße 14
 36039 Fulda, Germany
 Postal address: 36035 Fulda, Germany
 Phone: +49 661 6003-0
 Fax: +49 661 6003-607
 Email: mail@jumo.net
 Internet: www.jumo.net

JUMO Instrument Co. Ltd.
 JUMO House
 Temple Bank, Riverway
 Harlow, Essex CM 20 2DY, UK
 Phone: +44 1279 63 55 33
 Fax: +44 1279 62 50 29
 Email: sales@jumo.co.uk
 Internet: www.jumo.co.uk

JUMO Process Control, Inc.
 6733 Myers Road
 East Syracuse, NY 13057, USA
 Phone: +1 315 437 5866
 Fax: +1 315 437 5860
 Email: info.us@jumo.net
 Internet: www.jumousa.com



Order details

| | | | | | |
|--------|---|---|---|---|--|
| | | | | | (1) Basic type |
| 202924 | | | | | Conductivity sensors |
| | | | | | (2) Basic type extension |
| 10 | | | | | JUMO tecLine CR-VA (Ø 22 mm and others) |
| 20 | | | | | JUMO tecLine CR-VA SL (Ø 16 mm, insertion length 115 mm) |
| 21 | | | | | JUMO tecLine CR-VA SL-S (Ø 16 mm, insertion length 86 mm) |
| 30 | | | | | JUMO tecLine CR-PEKA S (Ø 22.5 mm, insertion length 40 mm) |
| 31 | | | | | JUMO tecLine CR-PEKA L (Ø 22.5 mm, insertion length 70 mm) |
| | | | | | (3) Cell constant |
| X | X | X | X | X | 0001 K = 0.01 (measuring range 0.1 to 20 MΩcm or 0.05 to 10 µS/cm) ^a |
| X | X | X | X | X | 0010 K = 0.1 (measuring range 1 µS to 1 mS/cm) ^a |
| | | | | | (4) Measuring insert |
| X | X | X | | | 0000 None |
| X | X | X | | | 1003 Pt100 |
| X | X | X | X | X | 1005 Pt1000 |
| | | | | | (5) Process connection |
| X | X | | | | 104 Thread G 1/2 A |
| X | | | | | 105 Thread G 3/4 A |
| X | | | | | 106 Thread G 1 A |
| X | | | | | 144 Thread 1/2"-14 NPT |
| X | | | | | 145 Thread 3/4"-14 NPT |
| X | | | | | 604 Taper socket with union nut DN 50 DIN 11851 (dairy pipe fitting) |
| X | X | X | | | 613 Clamp DN 25 |
| | | | X | X | 997 JUMO PEKA ^b hygienic process connection |
| | | | | | (6) Electrical connection |
| X | X | | | | 17 Permanent cable connection, line length 5 m |
| X | X | | | | 37 Right-angle connector according to DIN 43650 |
| | X | X | X | X | 83 M12 connector |
| | | | | | (7) Process connection material |
| X | | | | | 24 Stainless steel 1.4404 (only in HT version (extra code 765)) |
| X | | | | | 26 Stainless steel 1.4571 |
| X | X | X | X | X | 31 Stainless steel 1.4435 (similar to 316L, version for pharmaceutical industry) |
| X | | | | | 88 PVDF (default) |
| | | | | | (8) Electrode material |
| X | X | X | | | 24 Stainless steel 1.4404 (only in HT version (extra code 765)) |
| X | | | | | 26 Stainless steel 1.4571 |
| X | X | X | X | X | 31 Stainless steel 1.4435 (similar to 316L, version for pharmaceutical industry) |
| X | X | | | | 60 Titanium ^c |
| | | | | | (9) Extra code |
| X | X | X | X | X | 000 None |
| X | | | | | 765 High temperature (HT) version ^d (Cell constant K = 0.1) |

^a The measuring ranges depend on the transducer being used. When used in measuring ranges larger than the "typical" one, incorrect measured values may occur due to polarization.

^b Please order PEKA adapters separately, see accessories.

^c Only available in connection with process connection material 88 (PVDF).

^d Only available with process connection 145 (thread 3/4"-14 NPT).

Order code / - - - - - - /

Order example 202924 / 10 - 0010 - 1003 - 105 - 37 - 88 - 26 / 000

JUMO GmbH & Co. KG
 Delivery address: Mackenrodtstraße 14
 36039 Fulda, Germany
 Postal address: 36035 Fulda, Germany
 Phone: +49 661 6003-0
 Fax: +49 661 6003-607
 Email: mail@jumo.net
 Internet: www.jumo.net

JUMO Instrument Co. Ltd.
 JUMO House
 Temple Bank, Riverway
 Harlow, Essex CM 20 2DY, UK
 Phone: +44 1279 63 55 33
 Fax: +44 1279 62 50 29
 Email: sales@jumo.co.uk
 Internet: www.jumo.co.uk

JUMO Process Control, Inc.
 6733 Myers Road
 East Syracuse, NY 13057, USA
 Phone: +1 315 437 5866
 Fax: +1 315 437 5860
 Email: info.us@jumo.net
 Internet: www.jumousa.com



Important information:

The order code is not modular. When placing orders, if possible please select the items listed under "**Stock versions**" or "**Production versions**".
We must check the technical feasibility of and approve freely chosen combinations of individual code parts.

Stock versions

Standard

Delivery within 3 working days after receipt of order

| Order code | Brief description | Part no. |
|--------------------------------------|-------------------------------|----------|
| 202924/10-0010-0000-105-37-88-26/000 | K = 0.1/G 3/4A | 00300203 |
| 202924/10-0010-1003-105-37-88-26/000 | K = 0.1/Pt100/G 3/4A | 00300202 |
| 202924/10-0010-1003-104-37-88-26/000 | K = 0.1/Pt100/G 1/2A | 00338487 |
| 202924/10-0001-0000-105-37-88-26/000 | K = 0.01/G 3/4A | 00300204 |
| 202924/10-0001-1003-105-37-88-26/000 | K = 0.01/Pt100/G 3/4A | 00300079 |
| 202924/10-0001-1003-106-37-88-26/000 | K = 0.01/Pt100/G 1A | 00089393 |
| 202924/20-0010-1003-104-83-31-31/000 | K = 0.1/Pt100/G 1/2A/Ø 16 mm | 00456809 |
| 202924/20-0001-1003-104-83-31-31/000 | K = 0.01/Pt100/G 1/2A/Ø 16 mm | 00452527 |

Pharmaceutical packages with certificates

| Order code | Cell constant | Measuring insert | Brief description | Part no. |
|---|---------------|------------------|---|----------|
| 202924/10-0001-1003-613-37-31-31/000 | K = 0.01 | Pt100 class A | Clamp DN 25 and object in stainless steel 1.4435, packed air tight in foil, incl. ASTM test certificate, FDA approval for insulators and O-rings, inspection certificate 3.1, R _a < 0.8 µm | 00420617 |
| 202924/10-0010-1003-613-37-31-31/000 | K = 0.1 | | | 00405886 |
| 202924/20-0001-1003-613-83-31-31/000 | K = 0.01 | | | 00456810 |
| 202924/20-0010-1003-613-83-31-31/000 | K = 0.1 | | | 00456812 |
| 202924/21-0001-1005-613-83-31-31/000 | K = 0.01 | Pt1000 class A | | 00620488 |
| 202924/21-0010-1005-613-83-31-31/000 | K = 0.1 | | | 00620490 |
| 202924/30-0001-1005-997-83-31-31/000 ^a | K = 0.01 | | | 00562982 |
| 202924/30-0010-1005-997-83-31-31/000 ^a | K = 0.1 | | | 00562983 |
| 202924/31-0001-1005-997-83-31-31/000 ^a | K = 0.01 | | | 00562984 |
| 202924/31-0010-1005-997-83-31-31/000 ^a | K = 0.1 | | | 00562986 |

^a Please order PEKA adapters separately, see accessories.

JUMO GmbH & Co. KG
 Delivery address: Mackenrodtstraße 14
 36039 Fulda, Germany
 Postal address: 36035 Fulda, Germany
 Phone: +49 661 6003-0
 Fax: +49 661 6003-607
 Email: mail@jumo.net
 Internet: www.jumo.net

JUMO Instrument Co. Ltd.
 JUMO House
 Temple Bank, Riverway
 Harlow, Essex CM 20 2DY, UK
 Phone: +44 1279 63 55 33
 Fax: +44 1279 62 50 29
 Email: sales@jumo.co.uk
 Internet: www.jumo.co.uk

JUMO Process Control, Inc.
 6733 Myers Road
 East Syracuse, NY 13057, USA
 Phone: +1 315 437 5866
 Fax: +1 315 437 5860
 Email: info.us@jumo.net
 Internet: www.jumousa.com



Manufacturing versions

Standard

Delivery within 10 working days after receipt of order

| Order code | Brief description | Part no. |
|--------------------------------------|---|----------|
| 202924/10-0001-0000-105-37-26-26/000 | K = 0.01/G 3/4 A/process connection 1.4571 | 00353041 |
| 202924/10-0001-1003-604-37-88-26/000 | K = 0.01/Pt100/dairy pipe fitting | 00089395 |
| 202924/10-0010-1003-106-37-88-26/000 | K = 0.1/Pt100/G 1A | 00089389 |
| 202924/10-0010-0000-105-37-26-26/000 | K = 0.1/G 3/4 A/process connection 1.4571 | 00350627 |
| 202924/10-0010-1003-613-37-26-26/000 | K = 0.1/Pt100/clamp DN 25/process connection 1.4571 | 00322533 |

High temperature version

| Order code | Brief description | Part no. |
|--------------------------------------|-------------------------|----------|
| 202924/10-0010-1003-145-37-24-24/765 | K = 0.1/Pt100/NPT3/4-14 | 00397615 |

Versions prepared for certificates

| Order code | Brief description | Part no. |
|--------------------------------------|---|----------|
| 202924/10-0001-1003-105-37-88-26/000 | K = 0.01/Pt100/G 3/4 A Version able to receive certificate – certificates must be ordered separately | 00392030 |
| 202924/10-0010-1003-105-37-88-26/000 | K = 0.1/Pt100/G 3/4 A Version able to receive certificate – certificates must be ordered separately | 00392031 |

Optional certificates

| Item | Part no. |
|--|----------|
| Inspection certificate according to EN 10204 3.1 (please clearly specify when ordering: "material" and/or "roughness") | 00365727 |
| ASTM test certificate for exactly measured cell constant (one-point calibration) | 00359893 |
| FDA approval for insulators and O-rings | 00423913 |

JUMO GmbH & Co. KG

Delivery address: Mackenrodtstraße 14
36039 Fulda, Germany
Postal address: 36035 Fulda, Germany
Phone: +49 661 6003-0
Fax: +49 661 6003-607
Email: mail@jumo.net
Internet: www.jumo.net

JUMO Instrument Co. Ltd.

JUMO House
Temple Bank, Riverway
Harlow, Essex CM 20 2DY, UK
Phone: +44 1279 63 55 33
Fax: +44 1279 62 50 29
Email: sales@jumo.co.uk
Internet: www.jumo.co.uk

JUMO Process Control, Inc.

6733 Myers Road
East Syracuse, NY 13057, USA
Phone: +1 315 437 5866
Fax: +1 315 437 5860
Email: info.us@jumo.net
Internet: www.jumousa.com



Accessories

Cable

| Item | Part no. |
|---|----------|
| Connecting cable, length 25 m, assembly by user, 4-pin + screen | 00303681 |
| Connecting cable, length 50 m, assembly by user, 4-pin + screen | 00304181 |
| Connecting cable including M12 cable socket (straight), length 10 m, 4-pin + screen | 00458513 |
| Connecting cable including M12 cable socket (straight), length 25 m, 4-pin + screen | 00458514 |
| Cable box M12 × 1, 4-pin, 713 series, angled form (cable not included in scope of delivery), gold-plated contacts | 00318906 |

JUMO PEKA process connection adapter

| Item | Part no. |
|--|----------|
| ... for VARIVENT® DN 40 - 125, stainless steel 1.4435/316 L ^a | 00577961 |
| ... for clamp DN 25/32/40, stainless steel 1.4435/316 L ^a | 00577998 |
| ... for clamp DN 50, stainless steel 1.4435/316 L ^a | 00577997 |
| ... for aseptic DN 40, stainless steel 1.4435/316 L ^a | 00577995 |
| ... for aseptic DN 50, stainless steel 1.4435/316 L ^a | 00577979 |
| ... for aseptic NKS DN 40, stainless steel 1.4435/316 L ^a | 00577999 |
| Welding socket M 28, Ø 55 mm, stainless steel 1.4435/316L | 00447190 |
| Orbital welding socket DN 25, stainless steel 1.4435/316L | 00530211 |
| Orbital welding socket DN 32, stainless steel 1.4435/316L | 00530212 |
| Orbital welding socket DN 40, stainless steel 1.4435/316L | 00531973 |

^a Including inspection certificate 3.1, R_a < 0.8 µm