

JUMO GmbH & Co. KG
 Delivery address: Mackenrodtstraße 14
 36039 Fulda, Germany
 Postal address: 36035 Fulda, Germany
 Phone: +49 661 6003-0
 Fax: +49 661 6003-607
 Email: mail@jumo.net
 Internet: www.jumo.net

JUMO Instrument Co. Ltd.
 JUMO House
 Temple Bank, Riverway
 Harlow, Essex CM20 2DY, UK
 Phone: +44 1279 635533
 Fax: +44 1279 635262
 Email: sales@jumo.co.uk
 Internet: www.jumo.co.uk

JUMO Process Control, Inc.
 6733 Myers Road
 East Syracuse, NY 13057, USA
 Phone: 315-437-5866
 1-800-554-5866
 Fax: 315-437-5860
 Email: info.us@jumo.net
 Internet: www.jumousa.com



JUMO ecoTRANS Lf 03 Microprocessor Transmitter / Switching Device for conductivity or resistivity and temperature

Type 202732
Housing for DIN rail mounting
 (35 × 7,5 mm in accordance with DIN EN 60 715 A.1)

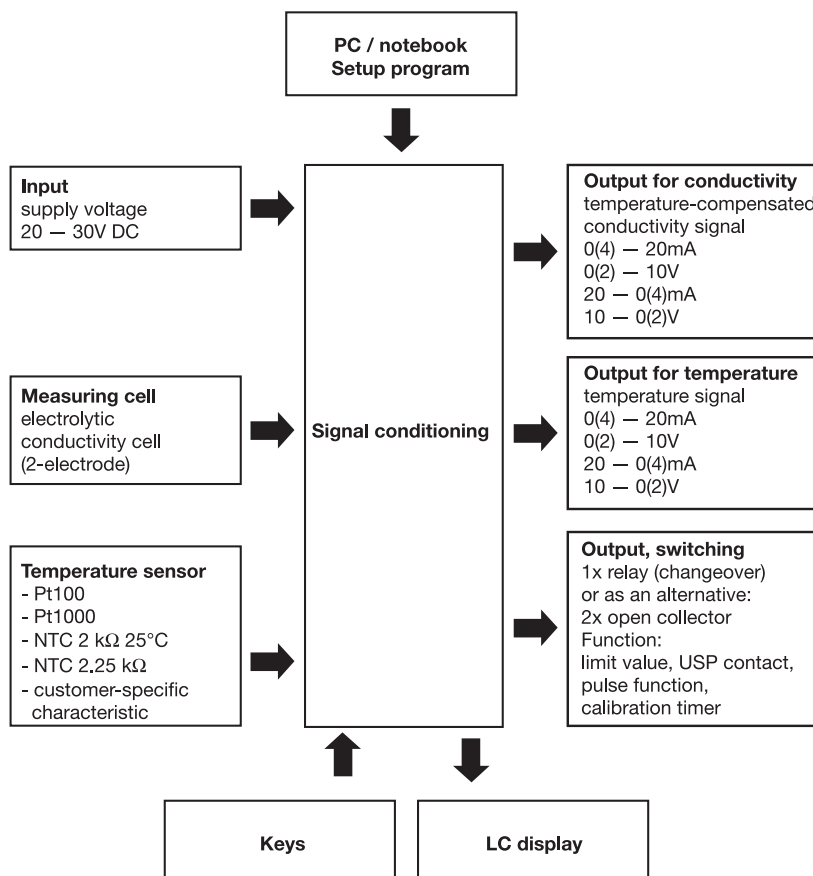
Brief description

The JUMO ecoTRANS Lf 03 conductivity transmitter is used to measure the conductivity or resistivity of liquids in conjunction with electrolytic conductivity cells. Typical areas of application are freshwater monitoring and water treatment installations, reverse osmosis plant, ion exchanger plant, high-purity water and pharmaceutical applications, condensate monitoring, and checking rinsing baths and cooling water. The instrument can be operated and configured from the keys and via the integrated LC display. Alternatively, this can also be done very conveniently through the setup connection (notebook / PC), using the setup program. The setup program also serves for printing out the configuration data, thus facilitating plant documentation. The instruments are supplied with a calibration certificate which documents the instrument/calibration data.



**Compliant with
 USP <645>**

Block structure



Key features

- Display units $\mu\text{S}/\text{cm}$, mS/cm , $\text{k}\Omega\text{m}\cdot\text{cm}$, $\text{M}\Omega\text{m}\cdot\text{cm}$, $\mu\text{mho}/\text{cm}$, mmho/cm
- Two parallel signal outputs for conductivity and process temperature 0(4) – 20mA / 0(2) – 10V; freely programmable
- Switching output (relay changeover contact or, alternatively, two open-collector outputs)
- USP switching function according to USP <645> for use in water installations for pharmaceutical applications
- Temperature compensation is selectable:
 - natural water to EN 27 888
 - ASTM D 1125-95 (high-purity water)
 - linear
- 3-way isolation (input, output and supply are electrically isolated from each other)
- DIN rail mounting
- Calibration timer
- Customer-specific characteristic for temperature probe can be implemented (NTC or PTC)
- Reference temperature can be set (10 – 25 – 40°C)
- Calibration certificate included in delivery

JUMO GmbH & Co. KG

Delivery address: Mackenrodtstraße 14
36039 Fulda, Germany
Postal address: 36035 Fulda, Germany
Phone: +49 661 6003-0
Fax: +49 661 6003-607
Email: mail@jumo.net
Internet: www.jumo.net

JUMO Instrument Co. Ltd.

JUMO House
Temple Bank, Riverway
Harlow, Essex CM20 2DY, UK
Phone: +44 1279 635533
Fax: +44 1279 635262
Email: sales@jumo.co.uk
Internet: www.jumo.co.uk

JUMO Process Control, Inc.

6733 Myers Road
East Syracuse, NY 13057, USA
Phone: 315-437-5866
1-800-554-5866
Fax: 315-437-5860
Email: info.us@jumo.net
Internet: www.jumousa.com

**Operation**

The JUMO ecoTRANS Lf 03 can be operated either via the instrument keys and the LC display or from a PC or laptop through the setup program.

Calibration options

- Calibration of the cell constant

Subject to manufacturing tolerances, the cell constant of a conductivity cell may deviate slightly from its nominal (printed) value. In addition, the cell constant may change during operation (due to deposits or wear, for example). This results in a change of the output signal from the cell. The JUMO ecoTRANS Lf 03 offers the user the possibility of compensating any deviation from the nominal value of the cell constant through **manual entry** (within the range 20 – 500%) or **automatic calibration** of the relative cell constant K_{rel} .

- Calibration of the temperature coefficient α

The conductivity of almost all solutions depends on the temperature. To ensure correct measurement, it is therefore necessary to know both the temperature and temperature coefficient α [% per °C] of the solution to be measured. The temperature can either be measured automatically with a temperature probe (Pt100 / Pt1000 / NTC / PTC) or set manually by the user. When using the JUMO ecoTRANS Lf 03, the temperature coefficient can be determined automatically or entered manually, within the range 0 – 5.5% per °C.

Calibration timer

If required, the integrated calibration timer draws your attention to an intended calibration (cell constant / temperature coefficient).

High-purity water / USP <645> / Pharmaceutical functions

According to USP <645> (United States Pharmacopoeia), on-line evaluation of water for pharmaceutical applications (Purified Water and WFI (Water For Injection)) is performed by measuring the conductivity. Measurement without temperature compensation is the requirement in this case. The USP<645> regulations include a table that states the permissible conductance of high-purity water at specified temperatures. If the currently measured value remains below the value given in the table, the water quality is satisfactory. By taking these relationships into account, the JUMO ecoTRANS LF 03 is suitable for use in high-purity water installations in the pharmaceutical sector.

Further information can be found in the JUMO technical publication "Information on high-purity water measurement" (FAS 614) (for download at www.jumo.de).

USP contact / USP<645> function

If this function is activated, the configured contact switches as specified by USP<645>.

USP<645> pre-alarm

This function is used to determine the level (in % of the table value) at which the pre-alarm signal (contact) is triggered in advance of the table value.

Functions of the JUMO ecoTRANS Lf 03 outputs**Analog outputs**

- One analog signal output each for conductivity/resistivity and temperature.
- The analog output signals are freely scalable (range start/end values).
- On underrange or overrange, the analog outputs will take on the following states: "Low" - corresponds to 0 mA/0V / 3.4mA / 1.4 V, depending on the selected output signal type. "High" - corresponds to 22mA/10.7V, depending on the selected output signal type. These states can be recognized as "irregular" by a connected device (e.g. a PLC) and used for generating the alarm.
- Simulation of the signal output: The analog signal outputs can be freely set in the manual mode. Application: "Dry-run" commissioning of the plant (without measuring cell; fault search; servicing).

Switching outputs

Depending on the order code, either one relay with changeover contact or two open-collector outputs.

The switching outputs can be freely used for monitoring conductivity/resistivity or temperature.

The following functions can be assigned to the switching outputs:

- Limit monitoring (MAX. or MIN. limit comparator) with programmable hysteresis.
- Pulse function (on reaching the switching point, the output switches briefly, then opens again).
- Programmable pull-in and drop-out delay.
- Switching outputs can be inverted.
- Response to overrange/underrange or to activated measuring circuit monitoring is

programmable (pull-in / drop-out).

- USP alarm or pre-alarm (for an explanation, see USP<645> pharmaceutical functions).
- "Calibration timer run down" signal.

Technical data**Inputs****Analog input 1 (conductivity)**

Electrolytic conductivity cells, with cell constants: 0.01; 0.1; 1.0; 3.0; 10.0 $1/cm$ (2-electrode principle). The cell constant can be adjusted within the range 20 – 500%, so that unusual cell constants (e.g. 0.2; 0.5; etc.) can also be set.

Lead compensation, analog input 1

The effect of long cables for the measuring ranges above 20 mS/cm can be compensated by entering the lead resistance, within the range 0.00 to 99.99 Ω .

Zero-point calibration, analog input 1

Zero-point errors caused by the system can be compensated.

Conductivity ranges

0 – 1 μ S to 0 – 200 mS, depending on the cell constant.

A table with all the measurement ranges is provided at the end of the Technical data.

Analog input 2 (temperature)

- Resistance thermometer Pt100 or Pt1000-10 to +250°C
- NTC 2k Ω ; 25°C, B=3500 -10 to +150°C
- NTC UUA 32J49; 2.25k Ω -10 to +150°C
- KTY 11-6; 2000 Ω -10 to +150°C

- Customer-specific characteristic, maximum resistance 4500 Ω

All temperature probes can be connected in 2-, 3- or 4-wire circuit.

The setup program can be used to enter a customer-specific characteristic for the temperature probe. This means that any temperature probe (NTC or similar) that may already be present can still be used.

The measurement display is in °C / °F, switchable.

Lead compensation, analog input 2

The offset can be used to correct the measured value in the range -20 to +20°C.

Reference temperature (for temperature compensation)

settable from 10 to 40°C (factory setting: 25°C, according to the international standard)

Temperature range

-10 to +250°C or +14 to +482°F

JUMO GmbH & Co. KG
 Delivery address: Mackenrodtstraße 14
 36039 Fulda, Germany
 Postal address: 36035 Fulda, Germany
 Phone: +49 661 6003-0
 Fax: +49 661 6003-607
 Email: mail@jumo.net
 Internet: www.jumo.net

JUMO Instrument Co. Ltd.
 JUMO House
 Temple Bank, Riverway
 Harlow, Essex CM20 2DY, UK
 Phone: +44 1279 635533
 Fax: +44 1279 635262
 Email: sales@jumo.co.uk
 Internet: www.jumo.co.uk

JUMO Process Control, Inc.
 6733 Myers Road
 East Syracuse, NY 13057, USA
 Phone: 315-437-5866
 1-800-554-5866
 Fax: 315-437-5860
 Email: info.us@jumo.net
 Internet: www.jumousa.com



Deviation from characteristic, temperature

with Pt100 / Pt1000: $\leq 0.6\%$
 NTC 2 k Ω : $\leq 1.5\%$
 NTC UUA: $\leq 2.0\%$
 KTY11-6: $\leq 0.8\%$
 with customer-specific characteristic: $\leq 5\ \Omega$.

Outputs

Two analog outputs

freely configurable:
 0(2) – 10 V $R_{load} \geq 2\ k\Omega$ or
 10 – (2)0 V $R_{load} \geq 2\ k\Omega$ or
 0(4) – 20 mA $R_{load} \leq 400\ \Omega$ or
 20 – (4)0 mA $R_{load} \leq 400\ \Omega$
 electrically isolated from the inputs:
 $\Delta U \leq 30\ V\ AC$ or
 $\Delta U \leq 50\ V\ DC$
 minimum scaling span: 10% of range span.

Deviation of the output signal

$\pm 0,015\ mA$ or $\pm 5\ mV$ $\pm 50\ ppm/K$

Relay output

changeover contact
 contact rating:
 8 A, 250 V AC or 8 A, 24 V DC
 with resistive load
 contact life:
 > 100, 000 operations at rated load

Open collector

contact rating: 100 mA, 35 V DC with
 resistive load, voltage drop in the switched
 state $\leq 1.2\ V$, not short-circuit-proof

General characteristics

A/D converter

resolution 14 bit

Sampling time

500 msec = 2 measurements per second

Ambient temperature error

$\leq 0.5\%$ per 10 °C

Measuring circuit monitoring

input 1 (conductivity): out-of-range
 input 2 (temperature): out-of-range,
 probe short-circuit, probe break.
 In fault condition, the outputs adopt a defined
 (configurable) state.

Data backup

EEPROM

Supply voltage

20 to 30 V DC, ripple $< 5\%$
 power consumption $\leq 3\ W$,
 with reverse-polarity protection.
 For operation with SELV or PELV circuits.

Electrical connection

screw terminals up to 2.5 mm²

Permissible ambient temperature

operating temperature range
 0 to +50 °C
 functional temperature range
 -10 to +60 °C

Permissible storage temperature

-20 to +75 °C

Climatic conditions

rel. humidity $\leq 93\%$, no condensation

Protection (to EN 60 529)

IP20

Electrical safety

to EN 61010
 clearance and creepage distances for
 - overvoltage category II
 - pollution degree 2

Electromagnetic compatibility

to EN 61326
 interference immunity: to industrial
 requirements
 interference emission: Class B

Housing

housing for DIN rail mounting:
 PC (polycarbonate)

Mounting

on a 35 x 7.5 mm DIN rail to DIN EN 60715

Operating position

unrestricted

Weight

approx. 150 g

Cell constant	Measurement ranges				
	Display span / unit				
$K = 0.01\ 1/cm$	0 – 1.000 $\mu S/cm$	0 – 1.000 $\mu mho/cm$	1000 – 9999 $k\Omega*cm$	1.00 – 99.99 $M\Omega*cm$	1
$K = 0.01\ 1/cm$	0 – 2.00 $\mu S/cm$	0 – 2.00 $\mu mho/cm$	500 – 9999 $k\Omega*cm$	0.50 – 50.00 $M\Omega*cm$	1
$K = 0.01\ 1/cm$	0 – 5.00 $\mu S/cm$	0 – 5.00 $\mu mho/cm$	200 – 9999 $k\Omega*cm$	0.20 – 2000 $M\Omega*cm$	1
$K = 0.01\ 1/cm$	0 – 20.00 $\mu S/cm$	0 – 20.00 $\mu mho/cm$	50 – 2500 $k\Omega*cm$	0.05 – 2.50 $M\Omega*cm$	2
$K = 0.1\ 1/cm$	0 – 5.00 $\mu S/cm$	0 – 5.00 $\mu mho/cm$	200 – 9999 $k\Omega*cm$	0.20 – 2000 $M\Omega*cm$	1
$K = 0.1\ 1/cm$	0 – 20.00 $\mu S/cm$	0 – 20.00 $\mu mho/cm$	50 – 2500 $k\Omega*cm$	0.05 – 2.50 $M\Omega*cm$	1
$K = 0.1\ 1/cm$	0 – 200.0 $\mu S/cm$	0 – 200.0 $\mu mho/cm$	5.0 – 250.0 $k\Omega*cm$	--	2
$K = 0.1\ 1/cm$	0 – 1000 $\mu S/cm$	0 – 1000 $\mu mho/cm$	1.00 – 50.00 $k\Omega*cm$	--	3
$K = 1\ 1/cm$	0 – 500.0 $\mu S/cm$	0 – 500.0 $\mu mho/cm$	2.00 – 99.99 $k\Omega*cm$	--	1
$K = 1\ 1/cm$	0 – 1000 $\mu S/cm$	0 – 1000 $\mu mho/cm$	1.00 – 50.00 $k\Omega*cm$	--	3
$K = 1\ 1/cm$	0 – 2.00 mS/cm	0 – 2.00 mmho/cm	0.50 – 25.00 $k\Omega*cm$	--	2
$K = 1\ 1/cm$	0 – 10.00 mS/cm	0 – 10.00 mmho/cm	0.10 – 5.00 $k\Omega*cm$	--	3,4
$K = 1\ 1/cm$	0 – 20.00 mS/cm	0 – 20.00 mmho/cm	--	--	2
$K = 1\ 1/cm$	0 – 100.0 mS/cm	0 – 100.0 mmho/cm	--	--	3,4
$K = 3\ 1/cm$	0 – 30.00 mS/cm	0 – 30.00 mmho/cm	--	--	3,4
$K = 10\ 1/cm$	0 – 100.0 mS/cm	0 – 100.0 mmho/cm	--	--	3,4
$K = 10\ 1/cm$	0 – 200.0 mS/cm	0 – 200.0 mmho/cm	--	--	3

-- -Measurement range cannot be implemented

The following deviations from the characteristic refer to $\mu S/cm$ or mS/cm

- ¹ Deviation from characteristic $\leq 1\%$
- ² Deviation from characteristic $\leq 1.5\%$
- ³ Deviation from characteristic $\leq 2\%$
- ⁴ Above a temperature of $\geq 85\ ^\circ C$ and a temperature coefficient $T_K > 2.2\%/^\circ C$, higher deviations from the characteristic may occur

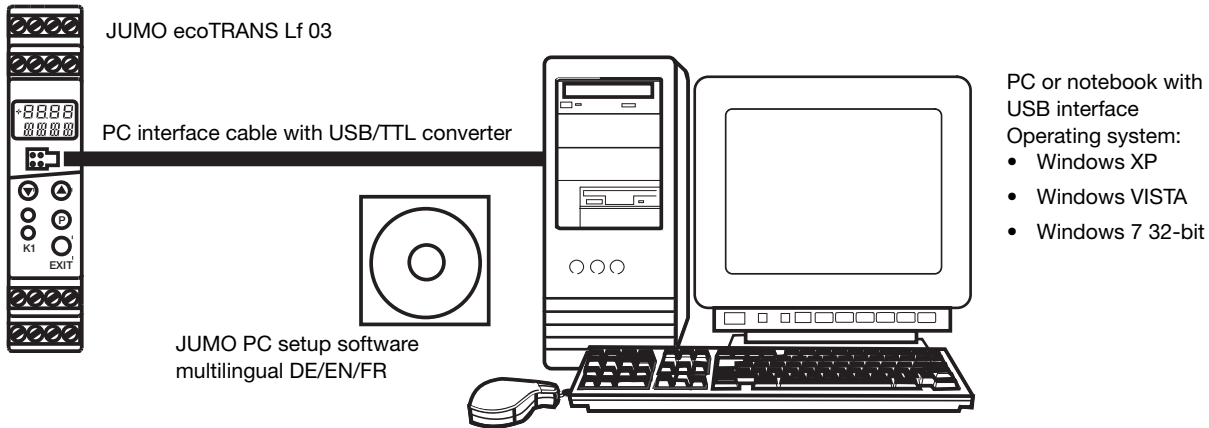
JUMO GmbH & Co. KG
 Delivery address: Mackenrodtstraße 14
 36039 Fulda, Germany
 Postal address: 36035 Fulda, Germany
 Phone: +49 661 6003-0
 Fax: +49 661 6003-607
 Email: mail@jumo.net
 Internet: www.jumo.net

JUMO Instrument Co. Ltd.
 JUMO House
 Temple Bank, Riverway
 Harlow, Essex CM20 2DY, UK
 Phone: +44 1279 635533
 Fax: +44 1279 635262
 Email: sales@jumo.co.uk
 Internet: www.jumo.co.uk

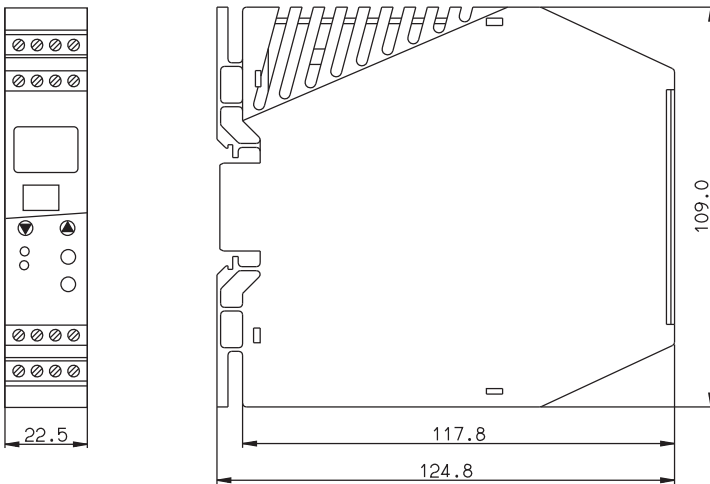
JUMO Process Control, Inc.
 6733 Myers Road
 East Syracuse, NY 13057, USA
 Phone: 315-437-5866
 1-800-554-5866
 Fax: 315-437-5860
 Email: info.us@jumo.net
 Internet: www.jumousa.com



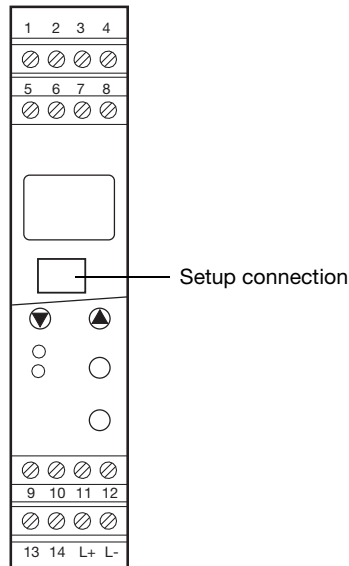
Operation via the setup interface



Dimensions



Connection diagram



Connection of conductivity cell

	Conductivity cell (JUMO types)			JUMO ecoTRANS Lf 03
	Plug-in head	Fixed cable	M12 plug	
Outer electrode		white	1	14
Inner electrode	2	brown	2	13
Temperature sensor	1	yellow	3	9*
	3	green	4	12*

* type of connection: 2-wire

JUMO GmbH & Co. KG
 Delivery address: Mackenrodtstraße 14
 36039 Fulda, Germany
 Postal address: 36035 Fulda, Germany
 Phone: +49 661 6003-0
 Fax: +49 661 6003-607
 Email: mail@jumo.net
 Internet: www.jumo.net

JUMO Instrument Co. Ltd.
 JUMO House
 Temple Bank, Riverway
 Harlow, Essex CM20 2DY, UK
 Phone: +44 1279 635533
 Fax: +44 1279 635262
 Email: sales@jumo.co.uk
 Internet: www.jumo.co.uk

JUMO Process Control, Inc.
 6733 Myers Road
 East Syracuse, NY 13057, USA
 Phone: 315-437-5866
 1-800-554-5866
 Fax: 315-437-5860
 Email: info.us@jumo.net
 Internet: www.jumousa.com



Outputs	Terminal assignment	Symbol
I Analog signal output: conductivity (electrically isolated)	5 + 6 -	
II Analog signal output: temperature (electrically isolated)	7 + 8 -	
III. Relay	1 common 3 n.c. (break) 4 n.o. (make)	
Open-collector output 1 (electrically isolated)	1 GND 3 +	
Open-collector output 2 (electrically isolated)	1 GND 4 +	
Measurement inputs	Terminal assignment	Symbol
Conductivity cell	14 outer electrode, on coaxial cells 13 inner electrode, on coaxial cells	
Resistance thermometer in 2-wire circuit	9 12	
Resistance thermometer in 3-wire circuit	9 11 12	
Resistance thermometer in 4-wire circuit	9 10 11 12	
Supply	Terminal assignment	Symbol
Supply voltage (with reverse-polarity protection)	L- L +	

JUMO GmbH & Co. KG
 Delivery address: Mackenrodtstraße 14
 36039 Fulda, Germany
 Postal address: 36035 Fulda, Germany
 Phone: +49 661 6003-0
 Fax: +49 661 6003-607
 Email: mail@jumo.net
 Internet: www.jumo.net

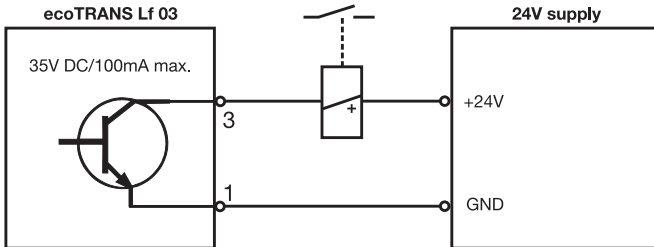
JUMO Instrument Co. Ltd.
 JUMO House
 Temple Bank, Riverway
 Harlow, Essex CM20 2DY, UK
 Phone: +44 1279 635533
 Fax: +44 1279 635262
 Email: sales@jumo.co.uk
 Internet: www.jumo.co.uk

JUMO Process Control, Inc.
 6733 Myers Road
 East Syracuse, NY 13057, USA
 Phone: 315-437-5866
 1-800-554-5866
 Fax: 315-437-5860
 Email: info.us@jumo.net
 Internet: www.jumousa.com

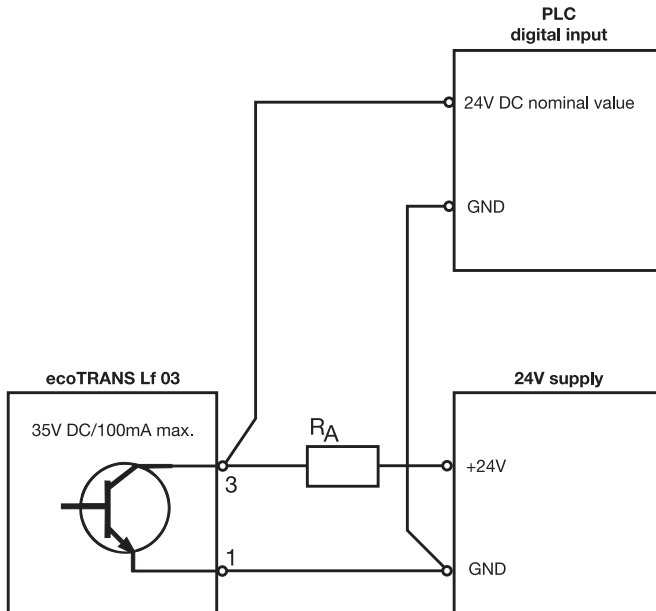


Connection example for open-collector output

Connection of a relay



Connection of a PLC



R_A is a current-limiting resistor for $I = 100 \text{ mA max.}$

JUMO GmbH & Co. KG

Delivery address: Mackenrodtstraße 14
36039 Fulda, Germany
Postal address: 36035 Fulda, Germany
Phone: +49 661 6003-0
Fax: +49 661 6003-607
Email: mail@jumo.net
Internet: www.jumo.net

JUMO Instrument Co. Ltd.

JUMO House
Temple Bank, Riverway
Harlow, Essex CM20 2DY, UK
Phone: +44 1279 635533
Fax: +44 1279 635262
Email: sales@jumo.co.uk
Internet: www.jumo.co.uk

JUMO Process Control, Inc.

6733 Myers Road
East Syracuse, NY 13057, USA
Phone: 315-437-5866
1-800-554-5866
Fax: 315-437-5860
Email: info.us@jumo.net
Internet: www.jumousa.com

**Order details:****JUMO ecoTRANS Lf 03****Microprocessor Transmitter / Switching Device for conductivity or resistivity and temperature**

	(1) Grundtyp	
	202732	JUMO ecoTRANS Lf 03, Microprocessor transmitter / switching device for conductivity or resistivity and temperature (freely programmable measurement ranges)
	(2) Output I (conductivity / resistivity)	
x	888	analog signal output, freely programmable
	(3) Output II (temperature)	
x	888	analog signal output, freely programmable
	(4) Output III (switching)	
x	101	1 x relay, changeover contact
x	177	2 x open collector
	(5) Extra codes	
x	000	none
o	024	PC setup software included in delivery

Order code	<input type="text" value="(1)"/>	/	<input type="text" value="(2)"/>	-	<input type="text" value="(3)"/>	-	<input type="text" value="(4)"/>	/	<input type="text" value="(5)"/>
Order example	202732	/	888	-	888	-	101	/	000

Stock items (delivery 3 working days after receipt of order)

Type	Note	Part no.
202732/888-888-101/000	relay output	00441865
202732/888-888-177/000	open collector	00441866
202732/888-888-101/024	relay output, including setup software	00441867

Optional accessories (delivery 3 working days after receipt of order)

Designation	Part no.
PC setup software for JUMO ecoTRANS Lf 03	00441961
PC interface cable including USB / TTL converter and two adapters	00456352
conductivity simulator (see Data Sheet 202711)	00300478
Switched-mode power supply, Type PS5R-A24 for DIN rail mounting input voltage AC 100 to 240 V / 50 to 60 Hz, output voltage DC 24 V / 0.3 A	00374661