

# EE451

## Wall Mounted Temperature Sensor for Indoor and Outdoor

E+E sensors EE451 are used for temperature measurement in heating, ventilation and air conditioning systems enabling weather-dependent temperature regulation. Various types of sensing elements such as Pt1000, NTC10k or Ni1000 are available. The innovative enclosure concept (IP65) with a mounting bracket allows for easy installation and unbiased detection of ambient temperature.



### Features

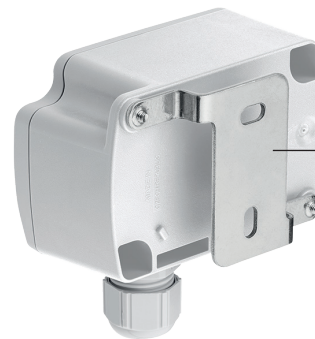


**External mounting holes**

- » Mounting with closed cover
- » Protection against construction site pollution

**Bayonet screws**

- » Open/closed with a 1/4 rotation



**Mounting bracket**

- » Distance to wall for correct measurement of ambient temperature



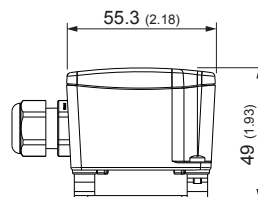
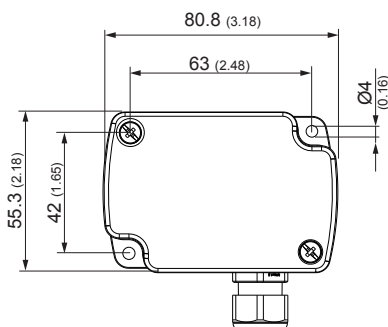
### Technical Data

Operating temperature	-40 °C...+70 °C (-40 °F...+158 °F)
Sensing element types	see ordering guide
Measurement current	typ. < 1 mA <sup>1)</sup>
T-Sensor connection	two-wire
Electrical connection	screw terminal, 2x max. 2.5 mm <sup>2</sup> (0.004 in <sup>2</sup> )
Enclosure material	polycarbonate, UL94-V0 approved
Protection class	IP65 / NEMA 4
Cable gland	M16x1.5, UL94-V2
Mounting bracket material	stainless steel (corr. 1.4301 / 304)
Storage temperature	-30 °C...+70 °C (-22 °E...+158 °F)
Storage humidity range	5 % rh...95 % rh, no condensation

1) see technical information on T-sensors

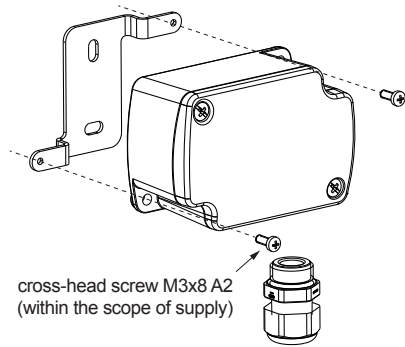
### Dimensions in mm (inch)

#### Housing

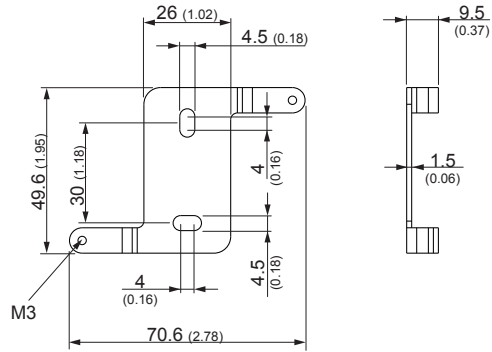


mounting bracket (included in the scope of supply)

### Mounting



### Mounting Bracket



### Ordering Guide

MODEL	ANALOGUE OUTPUT	DIGITAL OUTPUT	T-SENSOR	HOUSING	DESIGN
Temperature (T)	none (x)	none (x)	Pt100 DIN B (B) Pt1000 DIN B (D) NTC10k (L) NTC1.8k (G) Ni1000 TK6180 DIN B (J) Ni1000 TK5000 DIN B (T)	Standard (P)	Standard (O)
<b>EE451-</b>					

### Order Example

#### EE451-TxxLPO

Model: Temperature  
T-Sensor: NTC10k  
Housing: Standard  
Design: Standard

### Accessories

Conduit adapter, M16x1.5 to 1/2" HA011110