

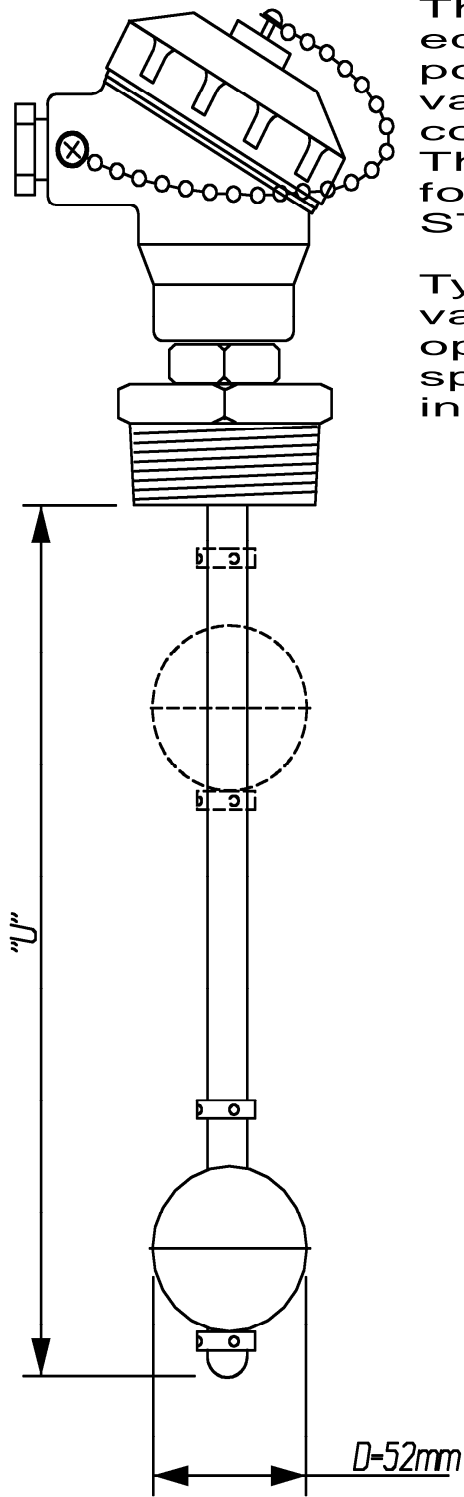
TYPE FL52

Type FL52 is a standard float switch designed for monitoring liquid levels.

The float switch can be equipped with one or more point switches (floats) and a variety of process connections are available. The standard case material for immersed parts is ST.ST.316.

Type FL52 is available in a variety of features and options to meet users' specific requirements, including:

- Number of Floats
- Process Connection
- Material
- Dimensions



TF52

Michshur S.Z. (1984) Ltd.
8 Hagavish St.
P.O.B. 1951 Holon 58117
ISRAEL
Phone: 972-3-6508585 Fax: 972-3-6508586

HOW TO ORDER

TABLE NO	1	2	3	4	5
EXAMPLE ORDER NO FL52	2	M	8	250	15A

Example Order No. = Type FL52 ; two floats ; 2" B.S.P process connection ; ST.ST.316 material ; 250mm long ; aluminum connection head.

Table 1. Floats
Insert number of floats

Table 2 Process Connection	
Order	Diameter
M	2" BSP
O	Other

Table 3. Material	
Order	Description
8	316 ST.ST.
O	Other

Table 4. Dimension "U"
Insert "U" in mm (3 digit)

Table 5. Connection Head	
Order	Description
15A	Cast aluminum epoxy coated screwed cover
16B	Aluminum type "B"
18P	Polypropylene
19E	EX-proof Cast aluminum epoxy coated
XC	X meter PVC Cable connection