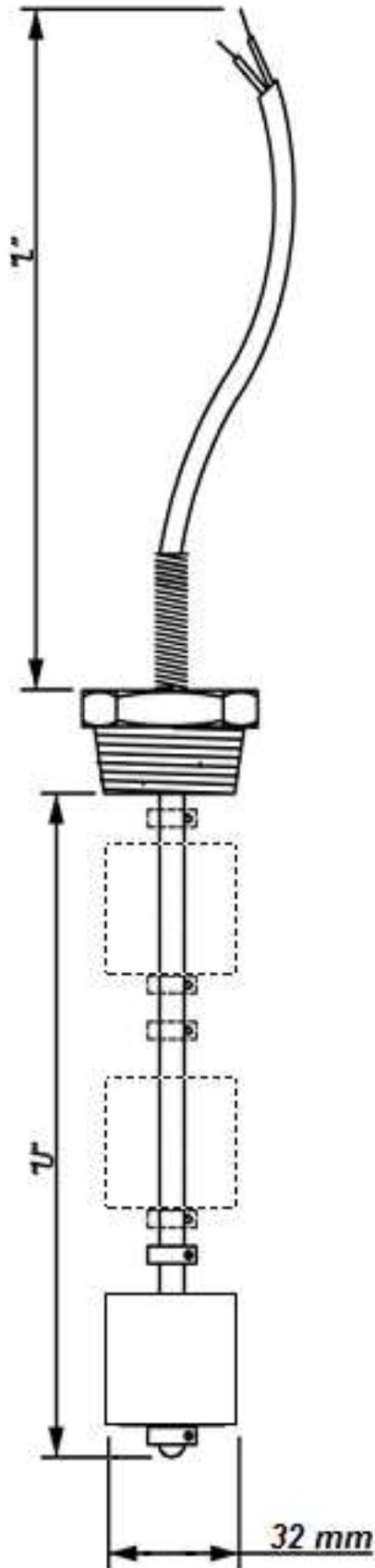


## TYPE FL32B



Type FL32B is a standard float switch designed for monitoring liquid levels.

The float switch can be equipped with one or more point switches (floats) and a variety of process connections are available. The material of the floats is Buna N type. The standard case material for other immersed parts is ST.ST.316.

Type FL32B is available in a variety of features and options to meet users' specific requirements, including:

- Number of Floats
- Process Connection
- Material
- Dimensions

Michshur S. Z. (1984) Ltd  
8 Hagavish St.  
P. O. B. 1951 Holon 5881614  
ISRAEL  
Phone: 972-3-6508585 Fax: 972-3-6508586

# HOW TO ORDER

TABLE NO

1

2

3

4

5

6

EXAMPLE  
ORDER NO  
FL32B

2

3

C

8

250

5C

**Example Order No. =** Type FL32B; two floats; three contacts; 1 1/2" B.S.P process connection ; ST.ST.316 material ; 250mm long ; 5 meter PVC cable connection.

Table 1. Floats

Insert number of floats

Table 2. Contacts

Insert number of contacts

Table 5. Dimension "U"

Insert "U" in mm  
( 3 digit )

Table 3. Process  
Connection

Order	Diameter
B	1 ¼" BSP
C	1 ½" BSP
M	2" BSP
O	Other

Table 4. Material

Order	Description
8	316 ST.ST.
O	Other

Table 6. Connection Head

Order	Description
15A	Cast aluminum epoxy coated screwed cover
16B	Aluminum type "B"
18P	Reinforced Polypropilene
19E	EX-proof Cast aluminum epoxy coated
20I	Cast iron epoxy coated screwed cover
21GN	Nylon + Glass Fiber
22GP	Glass Reinforced Polyamid
23PH	Phenil Polyoxide
XC	X meters PVC Cable connection