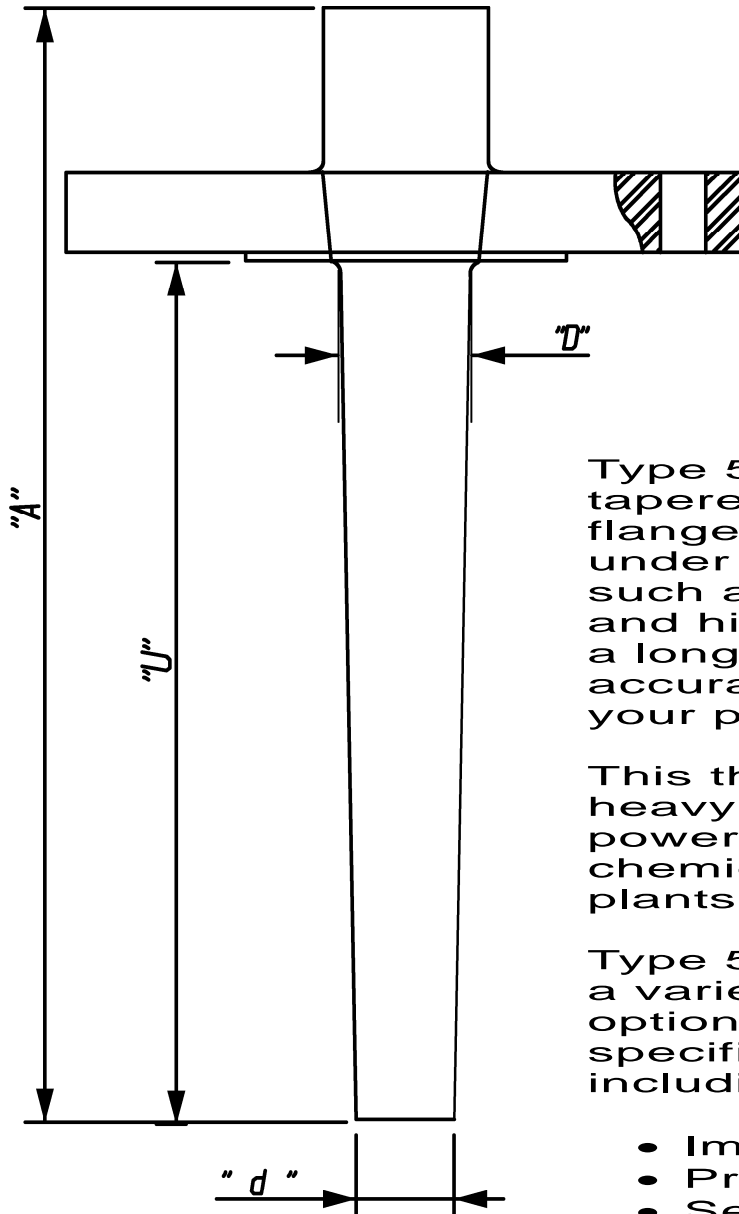


## TYPE 505



Type 505 is a heavy duty tapered drilled bar stock flanged thermowell for use under critical conditions, such as high temperature and high pressure, ensuring a long service life and accurate measurement of your process.

This thermowell is used in heavy industry, such as power plants, oil refineries, chemical and petrochemical plants.

Type 505 is available in a variety of features and options to meet users' specific requirements, including:

- Immersion Length
- Process Connection
- Sensor Connection
- Overall Length
- Well Material

TT505

Michshur S.Z. (1984) Ltd.  
8 Hagavtsh St.

P.O.B. 1951 Holon 581614

ISRAEL

Phone: 972-3-6508585 Fax: 972-3-6508586

# HOW TO ORDER

TABLE NO

1

2

3

4

5

EXAMPLE

ORDER NO 505

0300

1" ASA  
150

1M

0400

8

**Example Order No. =** Type 505 flanged tapered drilled thermowell ; 300 mm immersion length ; 1" ASA 150 flange connection ; 1/2" NPT sensor connection ; 400 mm overall length ; 316 ST.ST.

Table 1. Dimension "U"

Insert "U" in mm.  
( 4 digits )

Table 2. Process Connection

Indicate flange details as per ASA Type

Table 3. Sensor Connection

Order	Description
1M	1/2" N.P.T
1R	1/2" B.S.P
1O	Other

Table 4. Dimension "A"

Insert "A" in mm.  
( 4 digits )

Table 5. Well Material

Order	Description
4	310 ST.ST
8	316 ST.ST
9	304 ST.ST
10	Other

## NOTE :

- "D" and "d" are proportional to the process connection.  
For Flange ≤ 1" ASA 150 "D"=18 mm "d"=15 mm.  
For Flange > 1" ASA 150 "D"=23 mm "d"=18 mm.