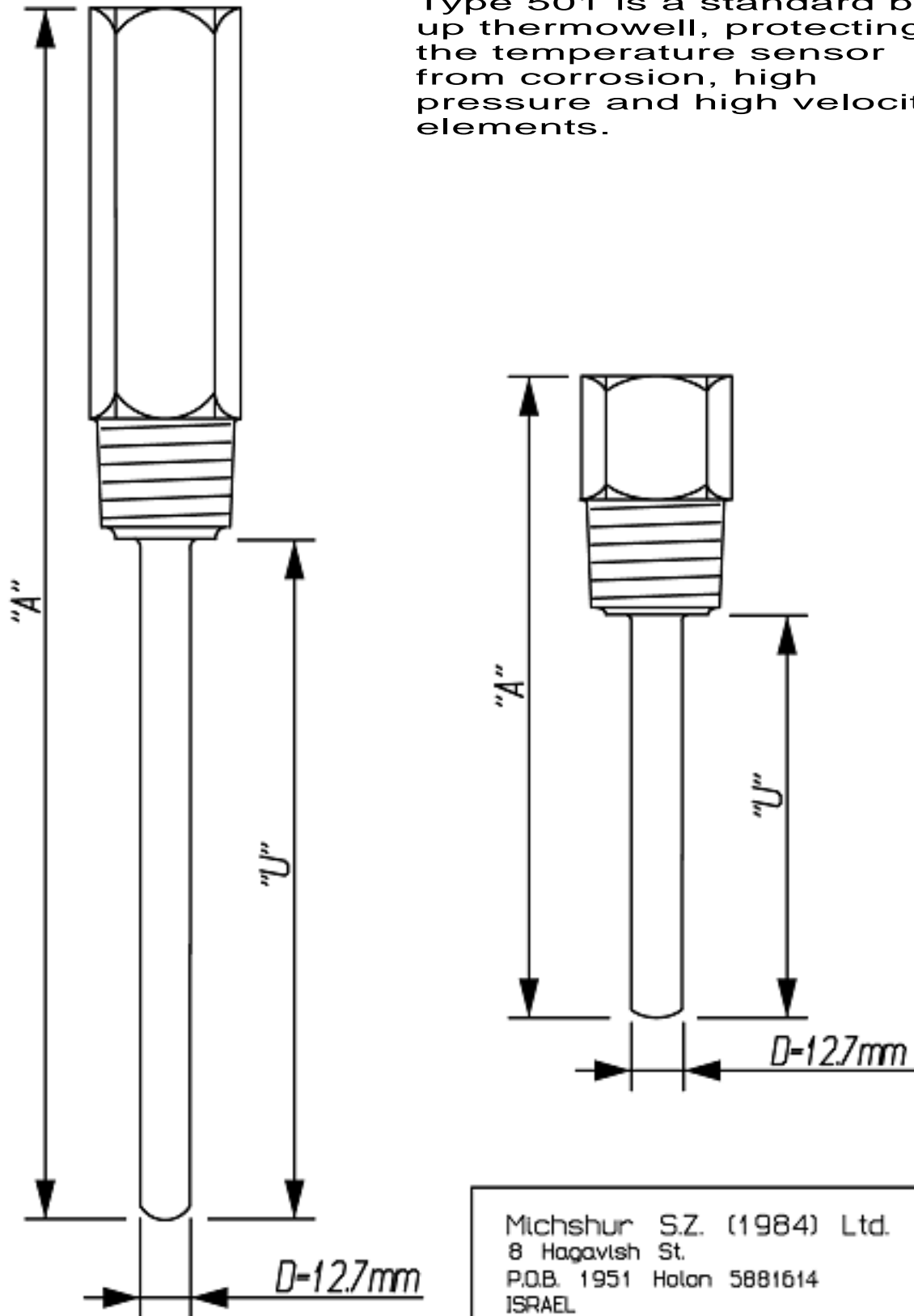


TYPE 501

Type 501 is a standard built up thermowell, protecting the temperature sensor from corrosion, high pressure and high velocity elements.



Michshur S.Z. (1984) Ltd.
8 Hagavish St.
P.O.B. 1951 Holon 5881614
ISRAEL
Phone: 972-3-6508585 Fax: 972-3-6508586

HOW TO ORDER

TABLE NO

1

2

3

4

5

EXAMPLE

ORDER NO 501

0100

M

1M

0150

8

Example Order No. = Type 501 built up thermowell ; 100 mm immersion length; 1/2" NPT process connection; 1/2" NPT sensor connection ; 150 mm overall length; 316 ST.ST.

Table 1. Dimension "U"

Insert "U" in mm.
(4 digit)

Table 2. Process Connection

Order	Diameter
M	1/2" N.P.T
R	1/2" B.S.P
Q	3/4" N.P.T
V	3/4" B.S.P
O	Other

Table 3. Sensor Connection

Order	Description
1M	1/2" N.P.T
1R	1/2" B.S.P
1O	Other

Table 4. Dimension "A"

Insert "A" in mm.
(4 digit)

Table 5. Well Material

Order	Description
5	Brass
8	316 ST.ST
9	304 ST.ST
10	Other

NOTES :

1. Standard diameter, "D" is 12.7 mm.
2. Standard overall length, "A" = "U" + 44mm.
3. For extension type, "A" = "U" + "T" + 44mm.