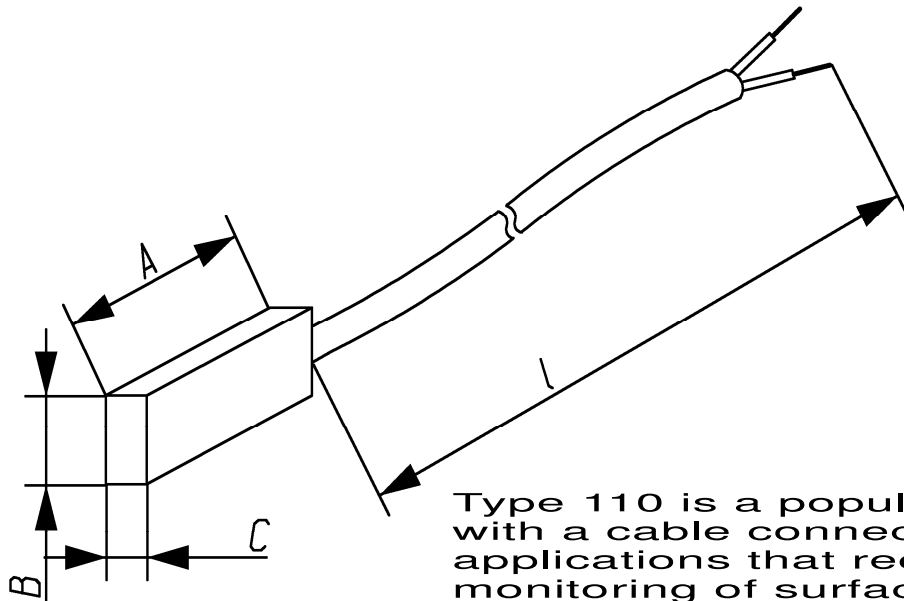


## TYPE 110



Type 110 is a popular sensor with a cable connection for applications that require monitoring of surface temperature as a part of the process.

This sensor can be manufactured in various dimensions according to the sensor type and the process limitations and requirements.

Type 110 is available with a variety of features and options to meet user's specific requirements, including:

- Sensor Type
- Housing dimensions.
- Fastening method.
- Cable Type
- Cable Length
- Sensor Accuracy

TT110

Michshur S.Z. (1984) Ltd.  
24 Hamezuda St.  
P.O.B. 56 Azur 58001  
ISRAEL  
Phone: 972-3-6508585 Fax: 972-3-6508586

# HOW TO ORDER

TABLE NO	1	2	3	4	5	6	7	8		9
EXAMPLE ORDER NO 110	P	25	10	06	2	3	P	1000		S

**Example Order No.** = Type 110 PT-100 ; A=25mm ; B=10mm ; C=6mm ; housing material - brass ; 3-wire system ; PVC cable ; 1000 mm cable length ; standard accuracy.

Table 1. Sensor Type	
<b>Single</b>	
K	
J	
T	
E	
P (For RTD)	
PTC	

Table 2 Dimension "A"
Insert "A" in mm. ( 2 digit )

Table 4 Dimension "C"
Insert "C" in mm. ( 2 digit )

Table 3 Dimension "B"
Insert "B" in mm. ( 2 digit )

Table 5. Material	
Order	Description
2	Brass
9	Other

Table 6A. Measuring Junction (for T/C only)	
Order	Description
G	Grounded
U	Ungrounded

Table 6B. Wiring System (for RTD'S only)	
Order	Description
2	2-wire system
3	3-wire system
4	4-wire system

Table 7 Cable Type *	
Order	Description
P	PVC
T	Teflon-TFE
G	Glass Fiber
S	Silicon Rubber
GS	Glass Fiber + Metal Overbraid

Table 8 Cable Length "L"
Insert "L" in mm.

Table 9. Sensor Accuracy	
Order	Description
S	Standard
SC	Special Calibration