

TYPE 103S

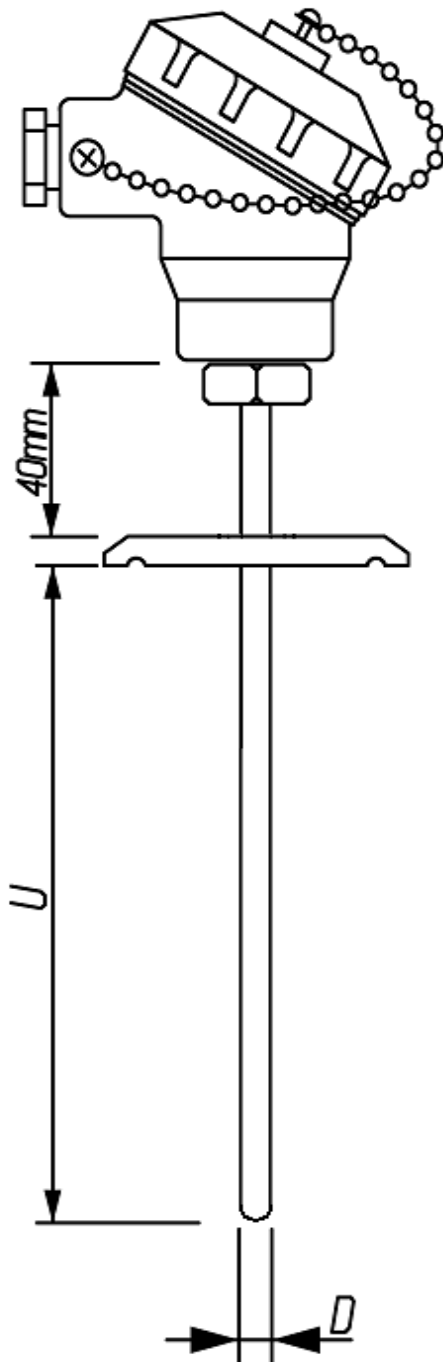
Type 103S is a sensor for hygienic process with a Tri-Clamp connections and a protective connection head.

Type 103S is ideal in a wide range of industries where there is a need for a sensor that consistently performs well in a range of conditions, without the need of a thermowell.

Type 103S is ideal for pharmaceutical industries, bio-tech and food process.

Type 103S is available in a variety of features and options to meet users' specific requirements, including:

- Sensor Type
- Sheath Diameter
- Sheath Material
- Length
- Process Connection
- Connection Head
- Sensor Accuracy



TT103S

Mitchshur S.Z. (1984) Ltd.

8 Hagavish St.

P.O.B. 1951 Holon 58117

ISRAEL

Phone: 972-3-6508585 Fax: 972-3-6508586

HOW TO ORDER

TABLE NO

1

2

3

4

5

6

7

8

EXAMPLE
ORDER NO
103S

P

4

8

150

3

R

18P

S

Example Order No. = Type 103S RTD ; 1/4" sheath diameter ; 316 ST. ST. sheath material ; 150mm long ; 3-wire system ; Tri-Clamp 1 1/2" process connection ; reinforced Polypropilene head ; standard accuracy.

Table 1. Sensor Type

Single	Duplex
K	KK
J	JJ
T	TT
E	EE
N	NN
P (For RTD)	PP

Table 2. Sheath Diameter "D"

Order	Diameter
1	1/16"
2	1/8"
3	3/16"
4	1/4"
6	3/8"
7	Other

Table 3. Sheath Material

Order	Description
8	316 ST.ST.
0	Other

Table 4. Dimension "U"

Insert "U" in MM. (3 digit)

Table 5A. Measuring Junction (for T/C only)

Order	Description
G	Grounded
U	Ungrounded
E	Exposed

Table 5B. Wiring System (for RTD'S only)

Order	Description
2	2-wire system
3	3-wire system
4	4-wire system

Table 6. Process Connection

Order	Description
M	Tri-Clamp 1"
R	Tri-Clamp 1 1/2"
Q	APV 1"
V	APV 1 1/2"
O	Other

Table 7. Connection Head

Order	Description
15A	Cast aluminum epoxy coated screwed cover
16B	Aluminum type "B"
17M	Cast aluminum mini size
18P	Reinforced Polypropilene
19E	EX-proof Cast aluminum epoxy coated
20I	Cast iron epoxy coated screwed cover
21GN	Nylon + Glass Fiber
22GP	Glass Reinforced Polyamide
23PH	Phenyl Polyoxide

Table 8. Sensor Accuracy

Order	Description
S	Standard
SC	Special Calibration