

Pressure Transmitter MP-710 Series

High Accuracy

- 2 Wire pressure transmitter
- Gauge, Vacuum or Absolute, all ranges
- From 250mBar up to 750Bar
- Excellent linearity and hysteresis
- Accuracy: 0.5% / 0.25% / 0.1% - optional
- Stainless steel 316L Diaphragm
- External Span and Zero adjustment

The MP-710 is a series of pressure transmitters.

The transmitters are two-wire loop powered with a standard output signal of 4-20 mA proportional to the applied pressure at the input port (pressure input).

All wetted parts of the MP-710 are stainless steel and viton seal.

The MP-710 are based on a piezzo resistive element, temperature compensated and amplified to achieve a very accurate device with excellent temperature and long term stability.

The MP-710 covers a wide range of pressure ranges with a variety of process connections including BSP, NPT, Tri-Clamp and APV for sanitary applications.

The standard MP-710 transmitter is equipped with a square IP-55 DIN electrical connector.

We can supply special designs process and electrical connection as per customer requirements and needs.



Technical Specifications

Standard ranges: from 250mbar to 750 bar
VAC., Gauge, Absolute

Maximum pressure: Pmax 2 times rated pressure

Output current: 4-20 mA

Non linearity: $\pm 0.5\%$ / $\pm 0.25\%$ / $\pm 0.1\%$ F.S

Hysteresis: $\pm 0.1\%$ F.S

Repeatability: 0.05% F.S/Volt

Zero setting: $\pm 0.15\%$ F.S

Long term stability: $\pm 0.2\%$ F.S 1 year (typical)

Supply voltage: 12-36 Volt.DC

Temperature range: Operating: $-20+70^{\circ}\text{C}$
Storage: $-40+85^{\circ}\text{C}$

Thermal accuracy Offset: $\pm 0.05\%$ / $^{\circ}\text{C}$

Thermal accuracy Span: $\pm 0.05\%$ / $^{\circ}\text{C}$

Span setting: $\pm 0.05\%$ F.S

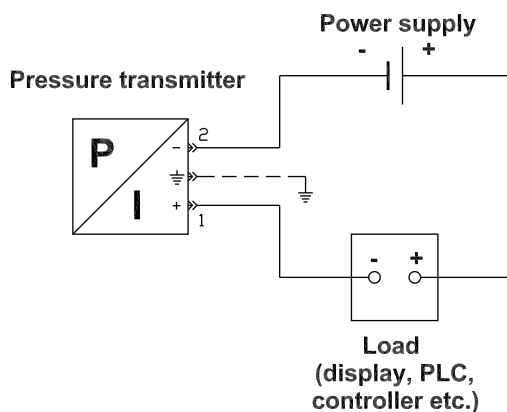
Transducer enclosure: 316 stainless steel

Process connection: 1/2" BSP (see note 1)

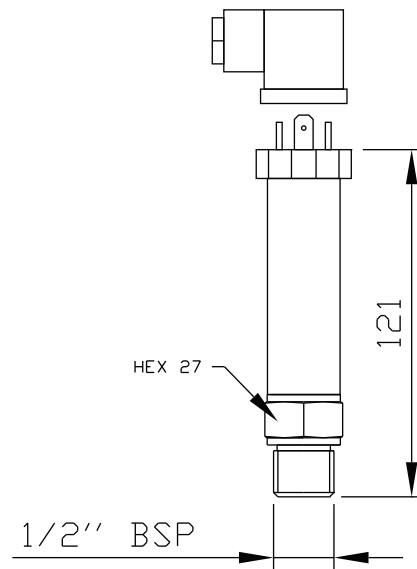
Electrical connection: IP-55 plug (see note 2)

Media compatibility: All corrosive media compatible with SS-316. Seal: viton (note 3)

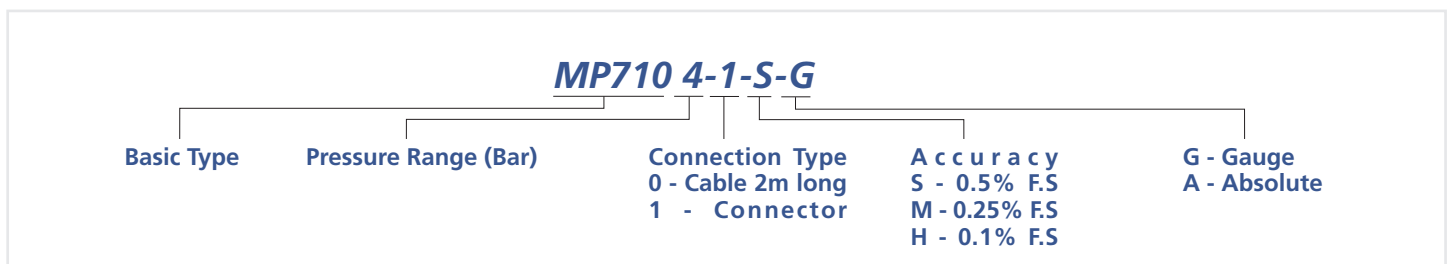
CONNECTION DIAGRAM



DIMENSIONS (mm)



How to order:



Notes:

1. Other connection types are available on request.
2. Cable connection is available on request.
3. A seal-less welded version is optional on request.