

SPECIAL FEATURES

- "SOLID FRONT" DESIGN FEATURES BAFFLE WALL INTERPOSED BETWEEN THE SENSING SYSTEM & THE WINDOW, AND A PRESSURE RELIEVING BACK FOR INCREASED SAFETY.
- ALL S.S. PRESSURE GAUGES.
- DRY OR FILLABLE VERSION.
- ACCURACY ± 0.5 F.S (OPTIONAL).
- STANDARD FOLLOWED EN 837.1-2 AND ANSI B40.1.

APPLICATIONS

CHEMICAL & PETROCHEMICAL INDUSTRIES, PHARMACEUTICAL, FOOD & BEVERAGE, CONVENTIONAL & NUCLEAR POWER PLANTS, PUMPS, PRESSES, COMPRESSORS, TURBINES, DIESEL ENGINES & PROCESSING INDUSTRIES.

SPECIFICATIONS

STANDARD VERSIONS: 63mm, 100mm & 150mm



Accuracy	: $\pm 0.5\%$, $\pm 1.0\%$ of F.S for NS 100 mm & 150 mm
	: $\pm 1.6\%$ of F.S for NS 63 mm
Ambient temperature	: -20°C to $+65^{\circ}\text{C}$
Process temperature	: Max 300°C
Operating pressure Range	: 75 % of Scale Value
Over pressure limit	: ≤ 100 bar : 125% of F.S
	: > 100 to ≤ 600 bar : 115% of F.S
	: Option : 50%, 150%, 400% of F.S

Case & Bezel	: AISI 304, 316L (Bayonet Type)
Bourdon	: AISI 316L
Socket	: AISI 316L (Directly welded to case)
Movement	: AISI 304
Joints	: Tig Argon Arc Welding

Protection	: IP 65, IP 67
Dial	: Aluminum, black graduation on white background
Pointer	: Aluminum, black Coloured Micrometer Zero Adjustable (Fixed for NS 63 mm)
Window	: Shatterproof / Safety Glass
Blow off Disc	: AISI 304
Gasket & Filling Plug	: Neoprene



GOST - R



DRY BUT FILLABLE VERSION (OPTION FG)

Fillable Dampening Liquid	: Glycerine 99.7%
Ambient Temperature	: Maximum 65°C
Process Temperature	: Maximum 65°C
Window	: Shatterproof / Safety Glass
Other Features	: Refer Specification of Standard Version

GLYCERINE FILLED VERSION (OPTION PY)

Accuracy	: $\pm 1.0\%$ of F.S. for NS 100 mm & 150 mm
	: $\pm 1.6\%$ of F.S. for NS 63 mm
Ambient Temperature	: Maximum 65°C
Window	: Shatterproof / Safety Glass
Dampening Liquids	: Glycerine 99.7% (Others available as Option)
Other Features	: Refer Specification of Standard Version

Temperature effect:

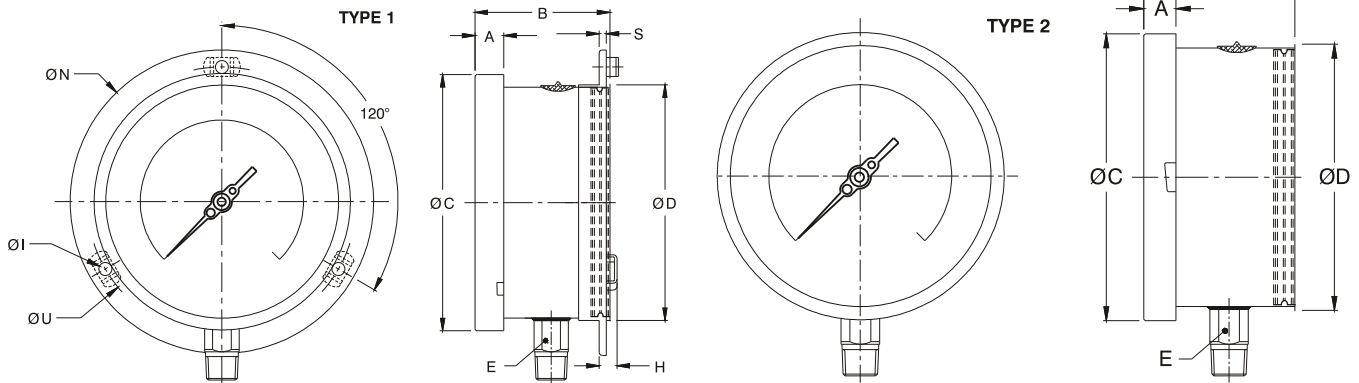
The variation of indication caused by effects of temperature is to be calculated by below formula; which is to be added in the specified accuracy while measurement :

Formula: $\pm 0.04 \times (t_2 - t_1) \%$ of F.S.

where t_1 = reference temperature ($+20^{\circ}\text{C}$) and t_2 = ambient temperature in $^{\circ}\text{C}$.

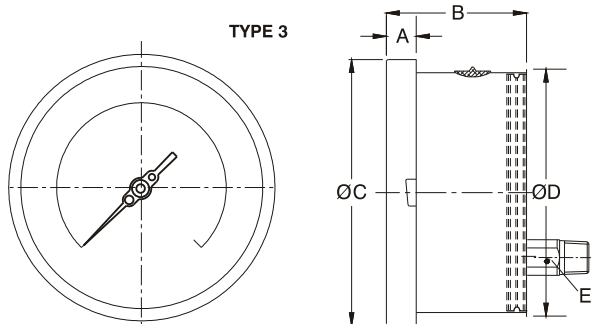


DIMENSIONS - STANDARD VERSION

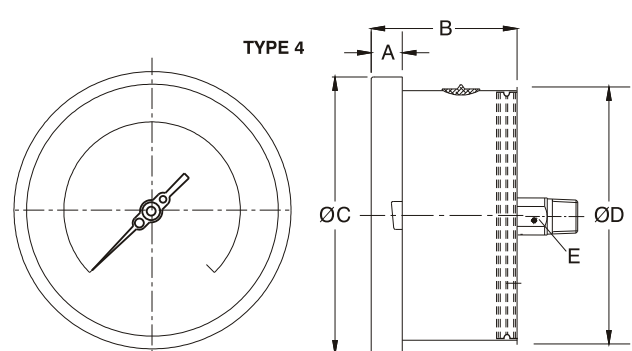


NS	A	B	ØC	ØD	E	ØN	ØU	H	ØI	S	Weight in gram (With Box)	Weight in gram (With Glycerin & Box)
63	11	56	69.5	62.5	14	86	75	11	3.5	1	320.0	430.0
100	12.5	70	111	100	22	134	118	15	6	1	860.0	1170.0
150	15	70	161	149	22	186	168	15	6	1	1440.0	2230.0

NS	A	B	ØC	ØD	E	Weight in gram (With Box)	Weight in gram (With Glycerin & Box)
63	11	56	69.5	62.5	14	300.0	410.0
100	12.5	70	111	100	22	760.0	1070.0
150	15	70	161	149	22	1300.0	2090.0



NS	A	B	ØC	ØD	E	Weight in gram (With Box)	Weight in gram (With Glycerin & Box)
100	12.5	64	111	100	22	700.0	1010.0
150	15	66	161	149	22	1200.0	1990.0



NS	A	B	ØC	ØD	E	Weight in gram (With Box)	Weight in gram (With Glycerin & Box)
63	11	56	69.5	62.5	14	290.0	400.0

Notes : • Drawings are not to scale. • All Dimensions are in mm . • NS = Nominal Size
• Weights mentioned are approximate and for standard product. Weight can be different after selection of options.

RANGE TABLE

Note : We offers International Scales like kPa, MPa, bar, psi, kg/cm² & Dual Scale like kPa with psi, kPa with bar, bar with psi or Equivalent scales as per the requirement can be provided on request.

Following are the example tables for kg/cm² or bar & psi scales

PRESSURE RANGE

SINGLE SCALE (kg/cm ² or bar)					
0/0.6*	0/4	0/25	0/160	0/1000*	
0/1	0/6	0/40	0/250	0/1600*	
0/1.6	0/10	0/60	0/400	0/2100*	
0/2.5	0/16	0/100	0/600		
DUAL SCALE (psi with kg/cm ²)					
psi	kg/cm ²	psi	kg/cm ²	psi	kg/cm ²
0/15	0/1	0/400	0/28	0/4000	0/280
0/30	0/2	0/500	0/35	0/5000	0/350
0/60	0/4	0/600	0/40	0/6000	0/400
0/100	0/7	0/1000	0/70	0/10000	0/700*
0/150	0/10	0/1500	0/100	0/15000	0/1000*
0/220	0/16	0/2200	0/160	0/22000	0/1600*
0/300	0/20	0/3000	0/200	0/30000	0/2000*

* Applicable for NS 100 mm & 150 mm only

VACUUM & COMPOUND RANGE

DUAL SCALE					
inHg with psi	mmHg with kg/cm ²	inHg with psi	mmHg with kg/cm ²	inHg with psi	mmHg with kg/cm ²
- 30/0	- 760 / 0	- 30/60	- 760 / 4	- 30/200	- 760 / 14
- 30/15	- 760 / 1	- 30/100	- 760 / 7	- 30/300	- 760 / 21
- 30/30	- 760 / 2	- 30/150	- 760 / 10		
SINGLE SCALE (kg/cm ² or bar)					
- 1/0		- 1/1.5		- 1/5	- 1/15
- 1/0.6		- 1/3		- 1/9	- 1/24

ACCESSORIES (Refer Datasheet for complete specifications)

EB COOLING TOWER	* NEEDLE VALVE
EC GAUGE COCK	EG SNUBBER
ED OVERLOAD PROTECTOR (GAUGE SAVER)**	EH SIPHON

* Refer catalogue for Valves & Manifolds

** For Pressure Ranges.

HOW TO ORDER: MP-455 - N - X - YYY - R - ZZ

BASIC MODEL

CODE

455

NOMINAL SIZE

D	F	H
63 mm	100 mm	150 mm

N

TYPE OF MOUNTING

- 1 WALL / SURFACE / PROJECTION MOUNTING WITH BOTTOM ENTRY
- 2 DIRECT BOTTOM ENTRY
- 3 DIRECT LOWER BACK ENTRY (NEVER FILLABLE)
- 4 DIRECT CENTRE BACK ENTRY (NS 63 mm & NEVER FILLABLE)

X

GAUGE CONNECTION (* Preferred for NS 63 mm)

2BM 1/4" BSP (M)(Standard)*	3BM 3/8" BSP (M)	4BM 1/2" BSP (M)(Standard)
2NM 1/4" NPT (M)(Standard)*		4NM 1/2" NPT (M)(Standard)

YYY

RANGE

REFER RANGE TABLE

R

OPTIONAL EXTRAS

OA ACCURACY ± 0.5% OF F. S.** (DRY VERSION & MAXIMUM READING POINTER)	SX SS TAG PLATE
TI MONEL BOURDON & SOCKET (MONEL VERSION) ** #	SW DIAL TAG MARKING
FL INTEGRAL DAMPENING SCREW (MONEL) #	TB HELIUM LEAK TEST
FS FILLABLE LIQUID SILICON OIL *	TF TESTED TO NACE STANDARDS
FG FILLABLE LIQUID GLYCERINE	PW FIVE POINT FACTORY CALIBRATION CERTIFICATE
PZ DAMPENING LIQUID MINERAL LIQUID FILLED	SG OXYGEN SERVICE (FOR DRY VERSION)
PX DAMPENING LIQUID FLOUROLUBE FILLED	RH CUSTOM DESIGNED DIAL
PY DAMPENING LIQUID GLYCERINE FILLED	QB INTEGRAL DAMPENING SCREW (AISI 316 SS)
QA DAMPENING LIQUID SILICON OIL FILLED *	SA INTERNAL OVER PRESSURE STOP **
RW PLEXI GLASS	SB INTERNAL VACUUM STOP **
SF MOVEMENT WITH DAMPENING JELLY	PS AISI 316 SS CASE & BEZEL
RR ENCLOSURE PROTECTION IP 66	SD AISI 316 SS MOVEMENT **
RE ENCLOSURE PROTECTION IP 67	KA ON - OFF TYPE VENT PLUG
PU CALIBRATION CERTIFICATE TRACEABLE TO INTERNATIONAL STANDARDS	ZL OVER RANGE PROTECTION 150% OF F. S. **
GH MATERIAL TEST CERTIFICATES ***	OP OVER RANGE PROTECTION 400% OF F. S. **
SS CASE AND RING S.S 316 MADE	EZ EXTERNAL ZERO ADJUSTMENT**
	SM S.S 316 MOVEMENT

ZZ

* Gasket & Filling plug of NBR. Refer Price List for Viton.

** Applicable for NS 100 mm & 150 mm only.

*** MATERIAL TEST CERTIFICATES WILL BE PROVIDED FOR WETTED PARTS ONLY WITH CHEMICAL COMPOSITION TESTING. FOR OTHERS, PLEASE CONSULT FACTORY.

INTEGRAL DAMPENING SCREW WILL BE IN MONEL IF ORDERED. REFER OPTION FL.

Ordering Example: MP-455 - D - 1 - 2NM - 0/10/kg/cm² - OA

FOR OTHER OPTIONAL ITEMS, PLEASE CONTACT FACTORY FOR DELIVERY AND MINIMUM QUANTITY OF ORDER.

Note: Specifications and dimensions given in this product catalogue represents the state of engineering at the time of printing.

Modifications may take place and materials specified may be replaced by others without prior notice.

8 Hagavish st., P.O.B. 1951 Holon 58117, Israel

Tel. 972-3-6508585 Fax. 972-3-6508586

Email: info@michshur.com www.michshur.com



Michshur s.z. (1984) LTD.