

SPECIAL FEATURES

- ECONOMICAL VERSION
- GENERAL PURPOSE APPLICATION



GOST - R

APPLICATIONS

For: MAINTENANCE, GRICULTURE, WATER
AIR, HVAC, HYDRAULIC, PNEUMATICS,
VALVE POSITIONER, ALLIED PROCESS INDUSTRIES.

Can be used with media which do not corrode copper alloy
and do not have high viscosity.



SPECIFICATIONS

STANDARD VERSION : 40 mm, 50 mm, 63 mm, 80 mm, 100 mm, 150 mm & 250 mm

Accuracy	: ±1.6% as per UNI 8293 (For NS 63 mm, 80 mm, 100 mm, 150 mm & 250 mm)
	: ±2.5% of F. S. (For NS 40 mm & 50 mm)
Ambient temperature	: - 20°C to + 65°C
Process temperature	: Max. 150°C
Operating Pressure Range	: 75% of Scale Value
Over pressure limit	: ≤ 100 bar : 125% Scale Value
	: > 100 to ≤ 600 bar : 115% Scale Value
	: > 600 to ≤ 1600 bar : 110% Scale Value

Case & Bezel	: Steel, ABS, AISI 304
Socket	: Copper Alloy
Bourdon	: Copper Alloy
Movement	: Copper Alloy
Joints	: Alloy Brazing / Soldering

Dial	: Aluminium, black graduation on white background
Pointer	: Black coloured, Fixed.
Window	: Sheet Glass, Plastic, safety Glass

Temperature effect:

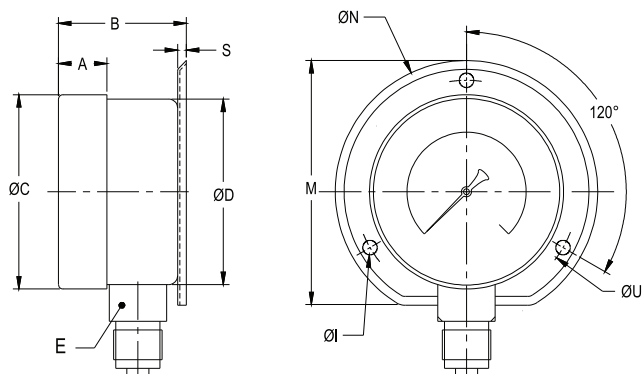
The variation of indication caused by effects of temperature is to be calculated by below formula;
which is to be added in the specified accuracy while measurement :

Formula : $\pm 0.04 \times (t_2 - t_1) \% \text{ of F. S.}$

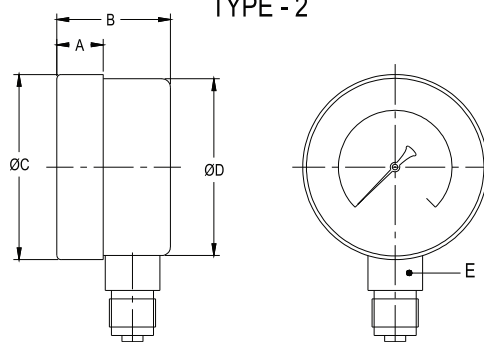
where t_1 = reference temperature (+20°C) and t_2 = ambient temperature in °C.

DIMENSIONS - STANDARD VERSION

TYPE - 1



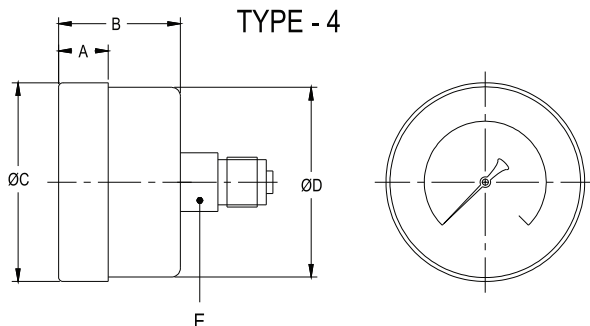
TYPE - 2



NS	A	B	ØC	ØD	E	M	S	ØN	ØU	ØI	Weight in gram (With Box)
63	12	30	63	62	14	80	5	88	76	5	160.0
80	12	40	78	76	14	100	5	115	98	5	250.0
100	13	36	99	97	17	117	1.2	132	118	6	405.5
150	16	47.5	155	154	17	181	7	195.5	-	-	729.5
250	37.5	55	252	249	22	280	8	288.5	-	-	2300

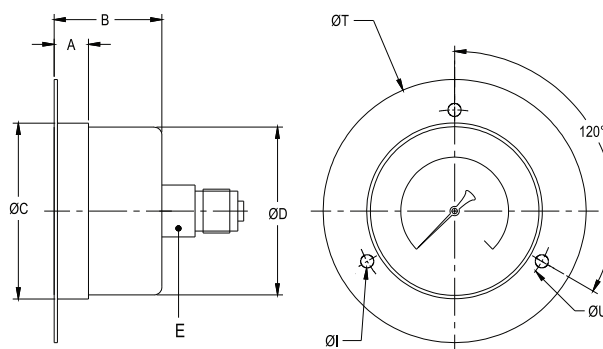
NS	A	B	ØC	ØD	E	Weight in gram (With Box)
40	10	26.5	44	42	12	81.5
50	10	29	53	52	14	101.0
63	12	29	63	62	14	120.0
80	12	35	78	76	14	195.0
100	13	35	99	97	17	343.0
150	16	43	155	154	17	695.0
250	37.5	51	252	249	22	1580.0

TYPE - 4



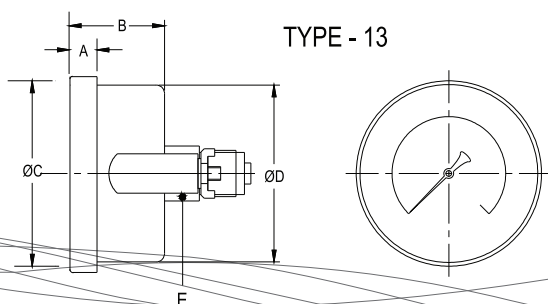
NS	A	B	ØC	ØD	E	Weight in gram (With Box)
40	7	24	42	41	11	69.0
50	11	29	54	52	14	148.0
63	12	29.5	67	65.5	14	174.0
80	12	35	78	76	14	190.0
100	13	36	99	97	17	343.0
150	16	43	155	154	17	662.5

TYPE - 12



NS	A	B	ØC	ØD	E	ØT	ØU	ØI	Weight in gram (With Box)
50	11	29	54	52	14	90	71	4	175.0
63	12	31	63	62	14	90	76	4	210.0
100	14	33	99	97	17	134	117	4	444.5
150	16	37	155	154	17	184	170	5	581.0

TYPE - 13



NS	A	B	ØC	ØD	E	Weight in gram (With Box)
40	7	24	42	41	11	120.0
50	11	29	54	52	14	210.0
63	12	29.5	67	65.5	14	240.0
100	13	36	99	97	17	390.0
150	16	43	155	154	17	700.0

RANGE TABLE

Note : We offer International Scales like kPa, MPa, bar, psi, kg/cm² & Dual Scale like kPa with psi, kPa with bar, bar with psi or Equivalent scales as per the requirement can be provided on request.

Following are the example tables for kg/cm² & psi scales

RANGE WITH NOMINAL SIZES

RANGE (psi with kg/cm ²)		NOMINAL SIZES	40	50	63	80	100	150	250
RANGE psi	RANGE kg/cm ²								
VACUUM									
-30 inHg / 0	-760 mmHg / 0		✓	✓	✓	✓	✓	✓	✓
PRESSURE									
0/15 psi	0/1 kg/cm ²		✓	✓	✓	✓	✓	✓	✓
0/30 psi	0/2 kg/cm ²		✓	✓	✓	✓	✓	✓	✓
0/60 psi	0/4 kg/cm ²		✓	✓	✓	✓	✓	✓	✓
0/100 psi	0/7 kg/cm ²		✓	✓	✓	✓	✓	✓	✓
0/150 psi	0/10 kg/cm ²		✓	✓	✓	✓	✓	✓	✓
0/220 psi	0/16 kg/cm ²		✓	✓	✓	✓	✓	✓	✓
0/300 psi	0/21 kg/cm ²		✓	✓	✓	✓	✓	✓	✓
0/400 psi	0/28 kg/cm ²		✓	✓	✓	✓	✓	✓	✓
0/500 psi	0/35 kg/cm ²		✓	✓	✓	✓	✓	✓	✓
0/600 psi	0/42 kg/cm ²		✓	✓	✓	✓	✓	✓	✓
0/1000 psi	0/70 kg/cm ²		✓	✓	✓	✓	✓	✓	✓
0/1500 psi	0/100 kg/cm ²		—	✓	✓	✓	✓	✓	✓
0/2200 psi	0/160 kg/cm ²		—	✓	✓	✓	✓	✓	✓
0/3000 psi	0/210 kg/cm ²		—	✓	✓	✓	✓	✓	✓
0/4000 psi	0/280 kg/cm ²		—	✓	✓	✓	✓	✓	✓
0/5000 psi	0/350 kg/cm ²		—	✓	✓	✓	✓	✓	✓
0/6000 psi	0/400 kg/cm ²		—	✓	✓	✓	✓	✓	✓
0/10000 psi	0/700 kg/cm ²		—	—	—	—	✓	✓	✓
COMPOUND									
- 30 inHg/15	- 1/1 kg/cm ²		—	—	—	—	✓	✓	✓
- 30 inHg /30	- 1/2 kg/cm ²		—	—	—	—	✓	✓	✓
- 30 inHg /60	- 1/4 kg/cm ²		—	—	—	—	✓	✓	✓
- 30 inHg /100	- 1/7 kg/cm ²		—	—	—	—	✓	✓	✓
- 30 inHg /150	- 1/10 kg/cm ²		—	—	—	—	✓	✓	✓
- 30 inHg /200	- 1/14 kg/cm ²		—	—	—	—	✓	✓	✓
- 30 inHg /300	- 1/21 kg/cm ²		—	—	—	—	✓	✓	✓

FREON WITH TEMPERATURE SCALE

Note : For temperature scales, please provide refrigerant name.

- 30° Hg / 150 psi	—	—	✓	—	✓	—	—
- 30° Hg / 300 psi	—	—	✓	—	✓	—	—
0/300 psi	—	—	✓	—	✓	—	—
0/500 psi	—	—	✓	—	✓	—	—

ACCESSORIES (Refer Datasheet for complete specifications)

EC Gauge Cock	EG Snubber	EH Siphon
---------------	------------	-----------

HOW TO ORDER MP-122 - N - X/XX - YYY - R - ZZ

CODE

BASIC MODEL

122

NOMINAL SIZE (mm)

B	C	D	E	F	H	J
40	50	63	80	100	150	250

N

TYPE OF MOUNTING

- 1 lower connection - surface mounting, back flange
- 2 lower connection - stem mounting
- 4 back connection - stem mounting
- 12 back connection, flush mounting; "U" clamp
- 13 back connection, flush mounting; front flange

X
OR
XX

Note: * 13B, 13C & 13D will have crimped bezel / ring.

GAUGE CONNECTION

	B	C	D	E	F	H	J
1BM 1/8" BSP(M)	✓	✓	-	-	-	-	-
1NM 1/8" NPT(M)	✓	✓	✓**	-	-	-	-
1TM 1/8" BSPT(M)	✓	✓	-	-	-	-	-
2BM 1/4" BSP(M)	-	✓*	✓	✓	-	-	-
2NM 1/4" NPT(M)	-	✓*	✓	✓	-	-	-
2TM 1/4" BSPT(M)	-	✓*	✓	✓	-	-	-
3BM 3/8" BSP(M)	-	-	-	✓	✓	✓	-
3NM 3/8" NPT(M)	-	-	-	-	✓	✓	-
3TM 3/8" BSPT(M)	-	-	-	-	✓	✓	-
4BM 1/2" BSP(M)	-	-	-	-	✓*	✓*	✓
4NM 1/2" NPT(M)	-	-	-	-	✓*	✓*	✓
4TM 1/2" BSPT(M)	-	-	-	-	✓*	✓*	✓
4MM M20 x 1.5(M)	-	-	-	-	✓*	✓*	✓

YYY

* These connections will be provided through adaptors or else for direct threads (without adaptor) minimum order quantity shall be 100 nos per range.

** Applicable for Freon ranges.

Note : Connections like Metric/PT/PF/Flaired/UNF/G/R etc. can be provided on request through adaptors.

RANGE

REFER RANGETABLE

R

OPTIONAL EXTRAS (* For NS 100 mm & above)

RE RESTRICTOR Ø 0.4 mm.	ZC FREON RANGE (WITH TEMPERATURE SCALE)
RH CUSTOMER DESIGNED DIAL	SW DAIL TAG MARKING *
OS OXYGEN SERVICE	TB HELIUM LEAK TEST
PW FIVE POINT CALIBRATION CERTIFICATE	SX SS TAG PLATE
MC MECHANICAL ELECTRIC CONTACT	PG PLEXIGLASS WINDOW
IC INDUCTIVE ELECTRIC CONTACT	SG SAFETY GLASS WINDOW
AP ADJUSTABLE POINTER	
MP MAXIMUM POINTER	

ZZ

Ordering Example: MP-122 - B - 12 - 3BM - 0/10BAR - RE

Note : Specifications and dimensions given in this product catalogue represents the state of engineering at the time of printing.

Modifications may take place and materials specified may be replaced by others without prior notice.

8 Hagavish st., P.O.B. 1951 Holon 58117, Israel
Tel. 972-3-6508585 Fax. 972-3-6508586
Email: info@michshur.com www.michshur.com

