

Fuzzy Advanced PID Controller MI-4826

Dual Display



- 4-digit Process Value and 4-digit Setting Value display
- 6 LEDs: Auto Tuning, Manual mode, Alarm 1 and 2 and Control 1 and 2
- 3 input model products:
 - Thermocouple J, K, T, E, B, R, S, N, C
 - RTD PT-100 DIN or JIS
 - Linear with programmable scale (mV or mA)
- Standby and Latch mode can be combined with
- 8 different alarm functions
 - Optional to four set-point alarm outputs
 - Ramp to set point and soak functions
- Soft-start function
- Fuzzy enhanced PID Controller
- Two alarm output
- Auto / Manual Bumpless Transfer
- Power supply: 90-264V AC, 50/60HZ



The MI4826 PID Enhanced Controller offer many features and performance capabilities to suit a wide range of industrial applications. Available in three different models to handle various analog inputs including: Thermocouples (all common types and standard, total of 9 types), DC Voltage/Current and RTD sensors (both standards DIN and JIS)

The optional additions bellows allows to order the controller for a wide range of applications and operator needs. Output 2, optional, for cooling control, Process Value (PV) or Setpoint Retransmission, 4-20mA remote setpoint input (SP-2), RS-485 communication (MODBUS RTU), Master and Slave transmission, Power supply: 24V DC

Applications :

Indicator / Controller for temperature, Humidity, Pressure, Air-Conditioning, DC Current / Voltage, ...etc
RS485, Modbus RTU communication is also available as an option

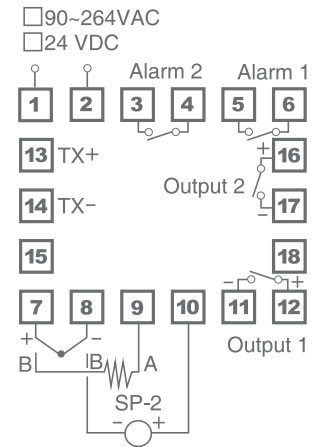
Input:		
Type	Temp. Range (C)	Temp Range (F)
J	-50C ~ 1,000C	-58F ~ 1,832F
K	-50C ~ 1,370C	-58F ~ 2,498F
T	-270C ~ 400C	-454F ~ 752F
E	-50C ~ 750C	-58F ~ 1,382F
B	0C ~ 1,800C	32F ~ 3,272F
R	0C ~ 1,750C	32F ~ 3,182F
S	0C ~ 1,750C	32F ~ 3,182F
N	-50C ~ 1,300C	-58F ~ 2,372F
C	-50C ~ 1,800C	-58F ~ 3,272F
DPT	-200C ~ 850C	-328F ~ 1,652F
JPT	-200C ~ 650C	-328F ~ 1,202F
LINE	-1,999 ~ 9,999	

Alarm Functions:	
PV High Alarm	PV Low Alarm
Deviation High Alarm	Deviation Low Alarm
Band High Alarm	Band Low Alarm
PV High Alarm with Delay Time	PV Low Alarm with Delay Time

Technical Specifications

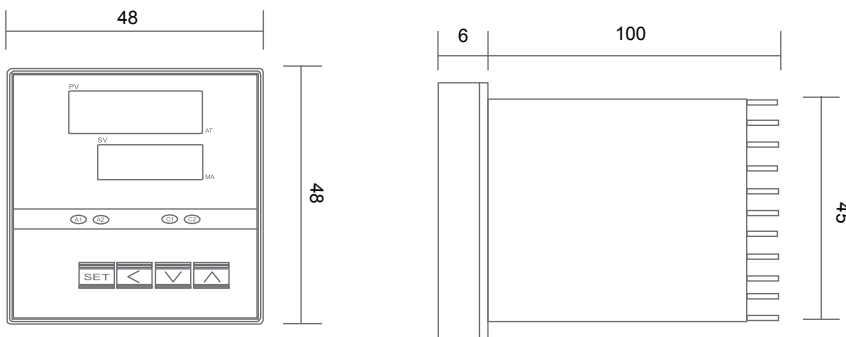
Specifications:	
Input:	Thermocouple: J. K. T. E. B. R. S. N. C RTD: DIN PT-100; JIS PT-100 Linear: 4~20mA; 0~50mV; 1~5V; 0~10V
Accuracy:	T/C $\pm 1\%$; RTD $\pm 0.2\%$; Linear $\pm 3\%$ V
Sampling Time:	0.25 sec.
Control	Proportional band: 0.0~300.0% F.S Integral time: 0~3600 sec. Derivative time: 0~900 sec. Hysteresis: 0.0~200.0 or 0.0~2000 Cycle Time: 0~100 sec.
Output Cycle Time :	Relay: 15 sec. Pulsed voltage to drive SSR: 1sec. Continuous current (Voltage): 0 sec.
Output:	Relay contact output: 10A/ 240 VAC (Resistive load) Pulsed Voltage Output to Drive SSR: DC 0/24V (Resistive 250 Ω min.) Current Output: 4~20mA; (Resistive 600 Ω max.) Continuous Voltage Output: 0~50mV; 1~5V; 0~10V (Resistive 600 Ω min.)
General:	Rated Voltage: AC 90~264VAC 50 / 60HZ; DC 24V Ambient Temperature: 0~50 C Ambient Humidity: 0~90 % Consumption: Less than 5VA

Wiring Diagram:

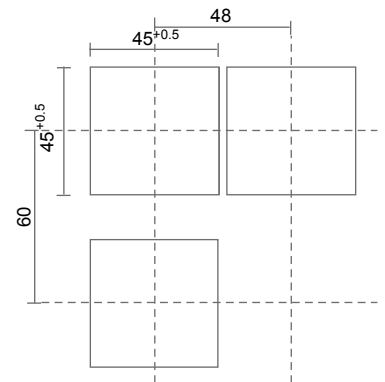


Dimensions:

(Unit: mm)



Panel Cutout:



How to order:

MI-4826 - T - R - 1 - N - A

Basic Type	Input	Code	Output 1 (Heating)	Code	Output 2 (Cooling)	Code	Selection	Code	Power Supply	Code
	T/C	T	Relay	R	1 Alarm	1	None	N	AC 90~264V	A
	RTD	D	SSR	P	2 Alarms	2	Retransmission	R	50/60 Hz	
	Linear	L	4-20mA DC	M	3 Alarms	3	RS-485	C	DC 24V	D
			Continuous Voltage	V			Remote Set Point (SP-2)	P		
							Master	M		
							Slave	S		

Note:

Linear type can be supplied with 24V DC external power supply to connect 2 wire transmitter.

Note : Specifications and dimensions given in this product catalogue represents the state of engineering at the time of printing.

Modifications may take place and materials specified may be replaced by others without prior notice.



Michshur s.z. (1984) LTD.

8 Hagavish st., P.O.B. 1951 Holon 58117, Israel

Tel. 972-3-6508585 Fax. 972-3-6508586

Email: info@michshur.com www.michshur.com